

Year of construction 2001

Bouwjaar 2001

Spare parts catalogue

Onderdelencatalogus

Precision chop loaderwagon

Opraapsnijwagen

RAPIDE 130E / 160 / 200

Casimiro - Spain



Schuitemaker

Contents

Guidelines for ordering spare parts	3
1. Single-sided Wide-angle coupling with cam-type coupling	5
1.1. Cam-Type coupling	5
2. Rotor intake with drive	7
3. FLOOR CHAIN WITH DRIVE RAPIDE 130E	9
4. Floor chain with double drive Rapide 160 and 200	11
5. Towbar	13
6. Rotor Gearbox	15
7. Floor driving gear	17
8. Pick-up Suspension with drive (5-Rows) Rapide 130E and 160	19
9. Pick-up Suspension with drive (6-Rows) Rapide 200	21
10. Pick-up (6-Rows) Spring suspension gear Rapide 200	23
11. Double runner wheel Rapide 200	25
12. 5-Rows Pick-up Rapide 130E and 160	27
13. 6-Rows Pick-up Rapide 200	29
14. Chopping device	31
15. Feed roller	33
16. Hydraulic parking support	35
17. Tandemframe TAP/1050-BPW Rapide 130E	37
18. Tandemframe Spring assemble	39
19. Gigant spring assemblies	41
20. Track following wheel axle	43
21. Wheel axles ADR Rapide 130E-MLA (Type 1008 Brake 300×90)	45
22. Wheel axles Coleart ((Typ EUR 1110) Brake 406×120) Rapide 160 and 200	47
23. Track following Axles Colaert (Typ EUR1110 Brake 400×80) Rapide 160 and 200	49
24. Front board Rapide 130E	51
25. Front board Rapide 160 and 200	53
26. Tailgate	55
27. Hydraulic/Elektrical operation	57
28. Steel construction as windcover	59

29. Guide board on windcover 61

30. Gear box WG-1000 13>28 62

31. Electrical circuit diagram 972.0004 63

32. Hydraulic system Rapide 130E 64

33. Hydraulic system Rapide 160 and 200 65

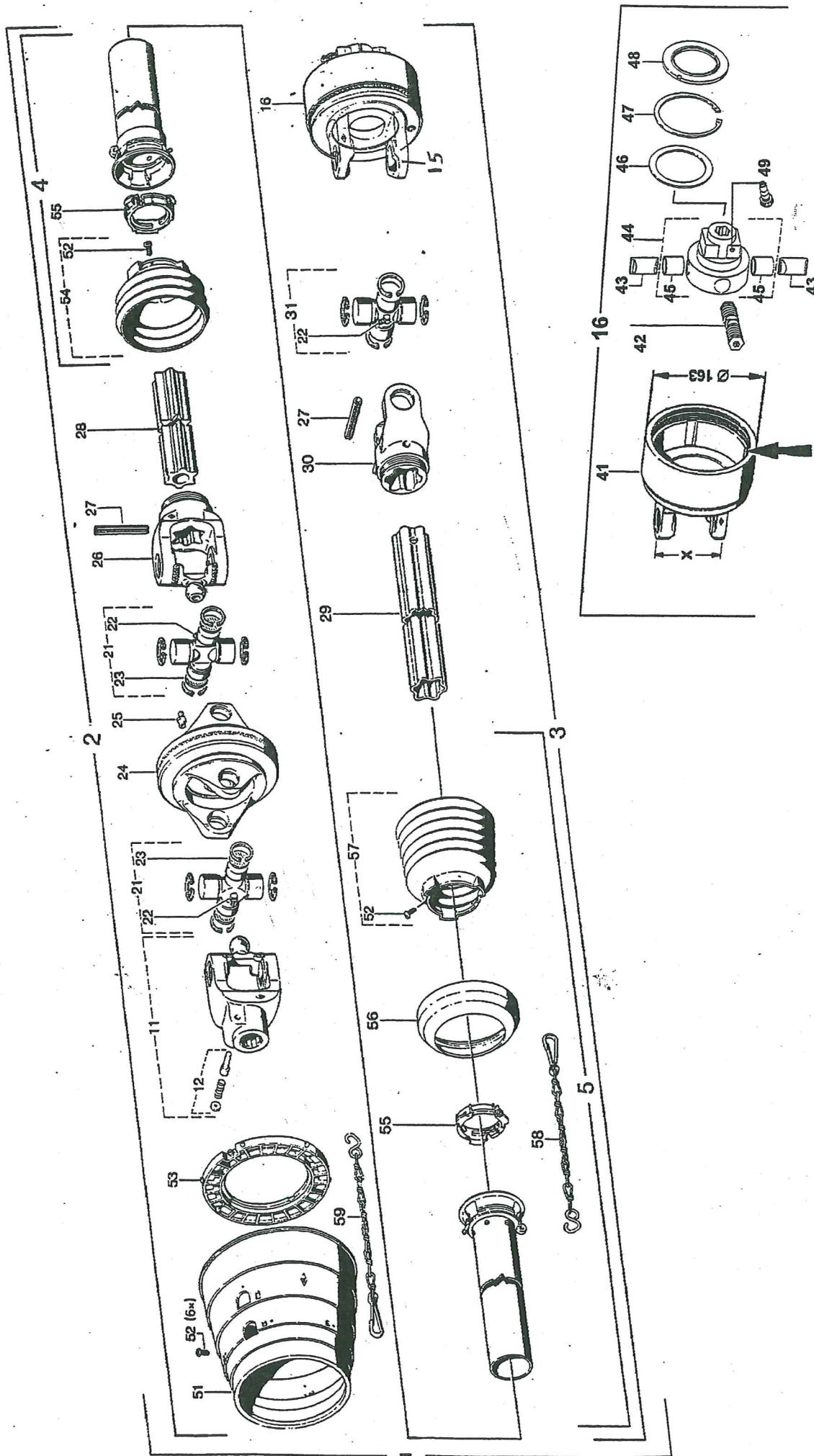
GUIDELINES FOR ORDERING SPARE PARTS

If you follow the rules stated below when ordering spare parts, you will be assured of a fast and correct delivery.

1. State the model, year of construction and serial number of your Rapide.
2. State both the full number of the part (if known) and the description.
3. State how the part needs to be despatched.
4. When ordering wheel axle parts, it is also advisable to state the wheel axle type. This can be found on the type plate of the wheel axle.

The numbers of the parts of the SCHUITEMAKER-wagons can be found in the first column below the heading *SR-no.* These can be ordered from:

SCHUITEMAKER Machines B.V. Rijssen – The Netherlands
Postbus 219 – 7460 AE Rijssen – The Netherlands
Tel: 0031 548 – 514125
Fax: 0031 548 516840
Spare Parts Dept.
Ext.41



1. SINGLE-SIDED WIDE-ANGLE COUPLING WITH CAM-TYPE COUPLING

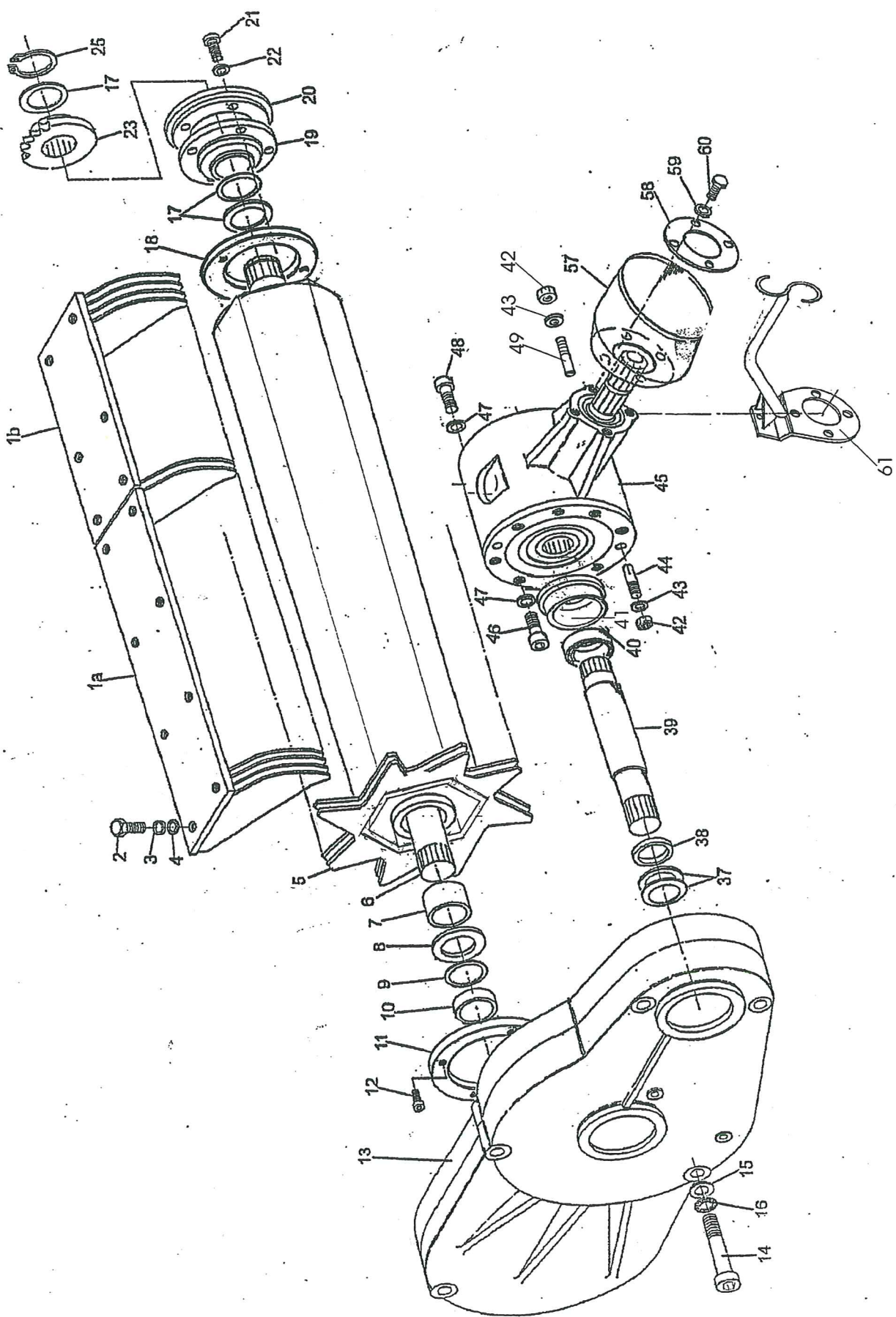
ENKELZIJDIGE GROOTHOEK-KOPPELINGSAS MET NOKKENKOPPELING

<i>Fig.</i>	<i>SR-no.</i>	<i>Omschrijving</i>	<i>Description</i>
1	354.0172	Koppelingsas WWE 2480 1600 Nm cpl.	Coupling shaft WWE 2480 1600 Nm cpl.
4	455.0020	Buitenbeschermbuis met kap	Outside protection tube with cover
	455.0153	Buitenbeschermbuis compleet met kap	Outside protection tube complete with cover
	455.0021	Binnenbeschermbuis	Inner protection tube
	455.0152	Binnenbeschermbuis compleet met kap	Inner protection tube complete with cover
11	455.0048	Groothoek-opsteekgaffel	Wide-angle set-up fork
12	455.0046	Drukstift Set (Agra 101)	Locking pin set (Agra 101)
15	455.0054	Flensgaffel	Flange fork
16	455.0112	Nokkenschakelkoppeling 1600 Nm	Cam-type coupling 1600 Nm
21	455.0056	Groothoek-kruisstuk (incl. 7 en 8)	Wide-angle cross-piece (incl. 7 and 8)
22	342.0105	Smeernippel M8×1	Grease nipple M8×1
24	455.0049	Dubbel-gaffel	Double fork
25	342.0105	Smeernippel M8×1	Grease nipple M8×1
26	455.0091	Profielgaffel	Profiled fork
27	312.0130	Spanstift DIN 1481-10×80	Clamping pin DIN 1481-10×80
28	455.0093	Sterbuis (binnen) S4GA	Profiled tube (inside) S4GA
29	455.0094	Sterbuis (buiten) S5	Profiled tube (outside) S5
30	455.0092	Profielgaffel	Profiled fork
31	455.0055	Kruisstuk	Cross-piece complete
51	455.0161	Beschermtrichter	Safety cover
53	455.0162	Glijring	Sliding ring
54	455.0154	Beschermkap met schroef (incl. 15)	Protective cover with screw (incl. 15)
55	455.0155	Glijring	Sliding ring
56	455.0088	Steunring	Supporting ring
57	455.0154	Beschermtrichter	Safety cover
59	450.0035	Borgketting	Locking chain

1.1. CAM-TYPE COUPLING

NOKKENSCHAKELKOPPELING

<i>Fig.</i>	<i>SR-no.</i>	<i>Omschrijving</i>	<i>Description</i>
16	455.0112	Nokkenschakelkoppeling 1600 Nm	Cam-type coupling 1600 Nm
41	455.0067	Koppelingshuis (rechtsdraaiend)	Coupling housing (clockwise)
42	455.0078	Schakelnok 1600 Nm	Switch cam 1600 Nm
43	455.0065	Blokkeernok	Locking cam
44	455.0063	Naaf	Hub
45	455.0064	Glijbus	Sliding sleeve
46	455.0061	Dichtring	Sealing ring
47	313.0214	Binnenborgring	Locking ring, inside
48	455.0062	Steunring	Supporting ring
49	455.0096	Klemkonus	Clamping cone

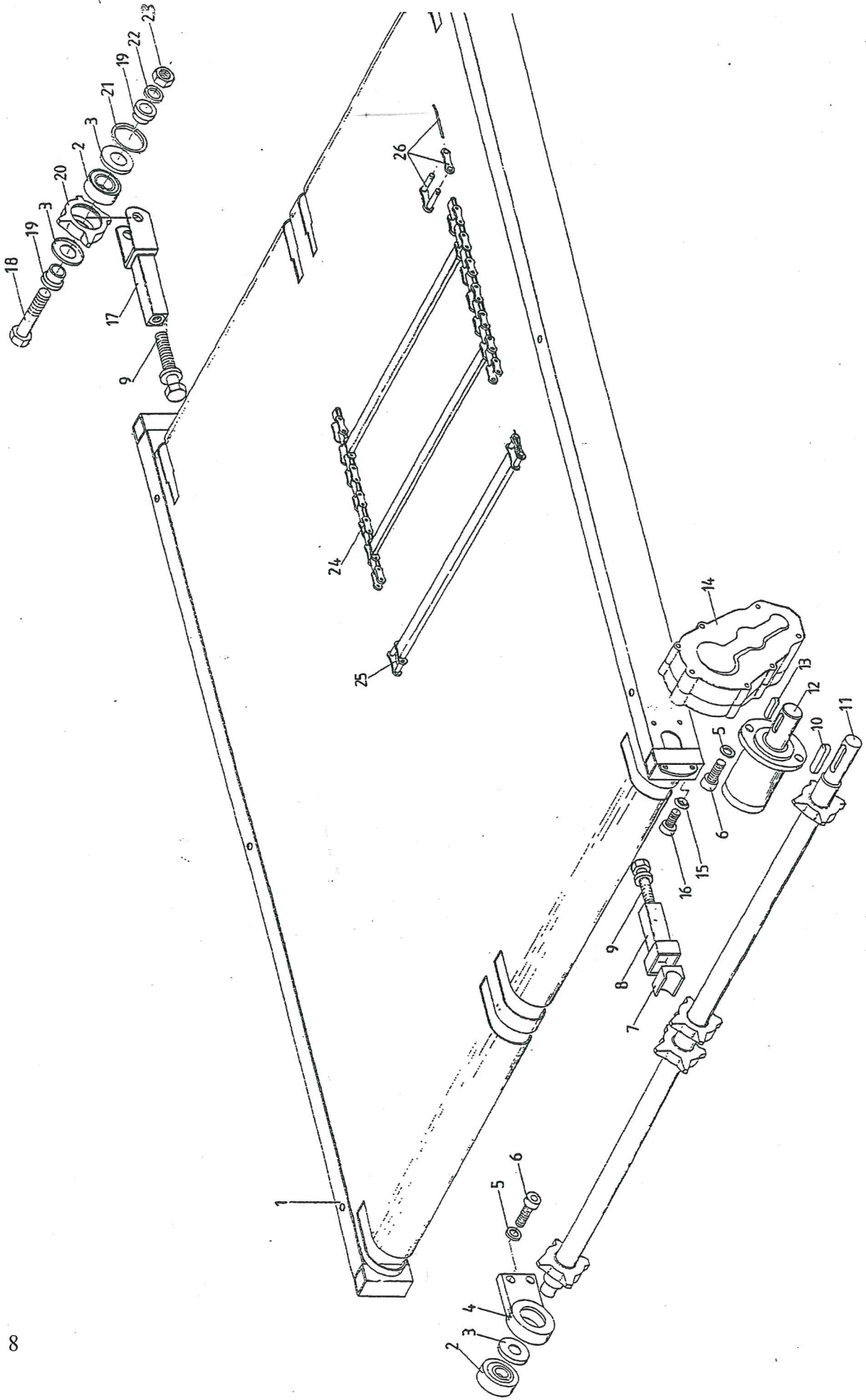


2. ROTOR INTAKE WITH DRIVE

ROTORINVOER MET AANDRIJVING

Drawing no. 975.0035

<i>Fig.</i>	<i>SR-no.</i>	<i>Omschrijving</i>	<i>Description</i>
1a	961.0932	Afstrijkerlijst-27 lang	Stripper frame-27 long
1b	961.0933	Afstrijkerlijst-27 kort	Stripper frame-27 short
	937.0055	Afstrijker	Stripper
2	301.0803	Bout M12×20	Bolt M12×20
3	316.0902	Tandveerring J12	Toothed spring ring J12
4	316.0702	Sluitring A13	Washer A13
5	961.0931	Rotor 5T/6K-27 A72×66	Rotor 5T/6K-27 A72×66
6	921.0273	Rotoras B72×66	Rotor shaft B72×66
7	402.0211	Glijlager N72100	Slide bearing N72100
8	403.0135	Loopschijf LS-75100	Counting disc LS-75100
9	349.0089	Vulschijf PS-75×95×1	Filler disc PS-75×95×1
	349.0090	Vulschijf PS-75×95×2	Filler disc PS-75×95×2
10	926.0336	Afstandbus 7228	Spacing sleeve 7228
11	937.0016	Afdichtschijf 60/M8	Sealing disc 60/M8
12	302.0607	Cilinderkopbout M8×20	Cylinder head bolt M8×20
13	351.0074	Rotortandwielkast A72×66 (zie blz. 15)	Rotor gearbox A72×66 (Page 15)
14	302.0637	Cilinderkopbout M16×160	Cylinder head bolt M16×160
	302.0639	Cilinderkopbout M16×200	Cylinder head bolt M16×200
15	316.0707	Sluitring A17	Plain wassher A17
16	316.0919	Tandveerring J16,5	Toothed spring ring J16,5
17	349.0044	Vulschijf 60×75×1	Filler disc 60×75×1
	349.0047	Vulschijf 60×75×2	Filler disc 60×75×2
18	937.0017	Afdichtschijf 60/M16	Sealing disc 60/M16
19	900.0132	Kogellager RME 60/192	Ball bearing RME 60/192
20	936.0809	Eindflens 60	End flange 60
21	301.0735	Pl. Verz. Bout M16×60	Countersunk bolt M16×60
23	953.0673	Kettingwiel ¾"-26 breekbout Rap.130E en 160	Chainsprocket ¾"-26 sh.bolt; Rap.130E; 160
	900.0311	Breekbout M12×62	Shearing bolt M12×62
23a	953.0672	Kettingwiel 1"21 met breekbout Rap.200	Chainsprocket 1"21 shearing bolt Rap.200
	900.0311	Breekbout M12×55	Shearing bolt M12×55
25	313.0212	Borgring A-60	Locking ring A-60
37	456.0064	Schotelring	Belleville washer
38	456.0063	Steunring	Ring
39	456.0060	Drijfias B50×45	Rotor drive shaft B50×45
40	401.0208	Kogellager 6209-2RS	Ball bearing 6209-2RS
41	456.0097	Lagerbus	Bearing bushe
42	306.0704	Moer M12	Nut M12
43	316.0702	Sluitring A13	Washer A13
44	456.0098	Paspen 12M6×57	Dowel 12M6×57
45	351.0066	Tandwielkast WG 13>28	Gear box WG 13>28
46	302.0640	Cilinderkopbout M16×50	Cylinder head bolt M16×50
47	316.0919	Veerring 16mm	Spring washer 16mm
48	302.0623	Cilinderkopbout M16×40	Cylinder head bolt M16×40
49	456.0018	Paspen 12M6×47	Dowel 12M6×47
57	900.0116	Beschermtrichter	Protective cover
58	934.0136	Versterkingsring	Reinforcing ring
59	316.0906	Veerring 10mm	Spring ring 10mm
60	301.0805	Bout M10×25	Bolt M10×25
61	968.0344	Slanghouder	Hose reels

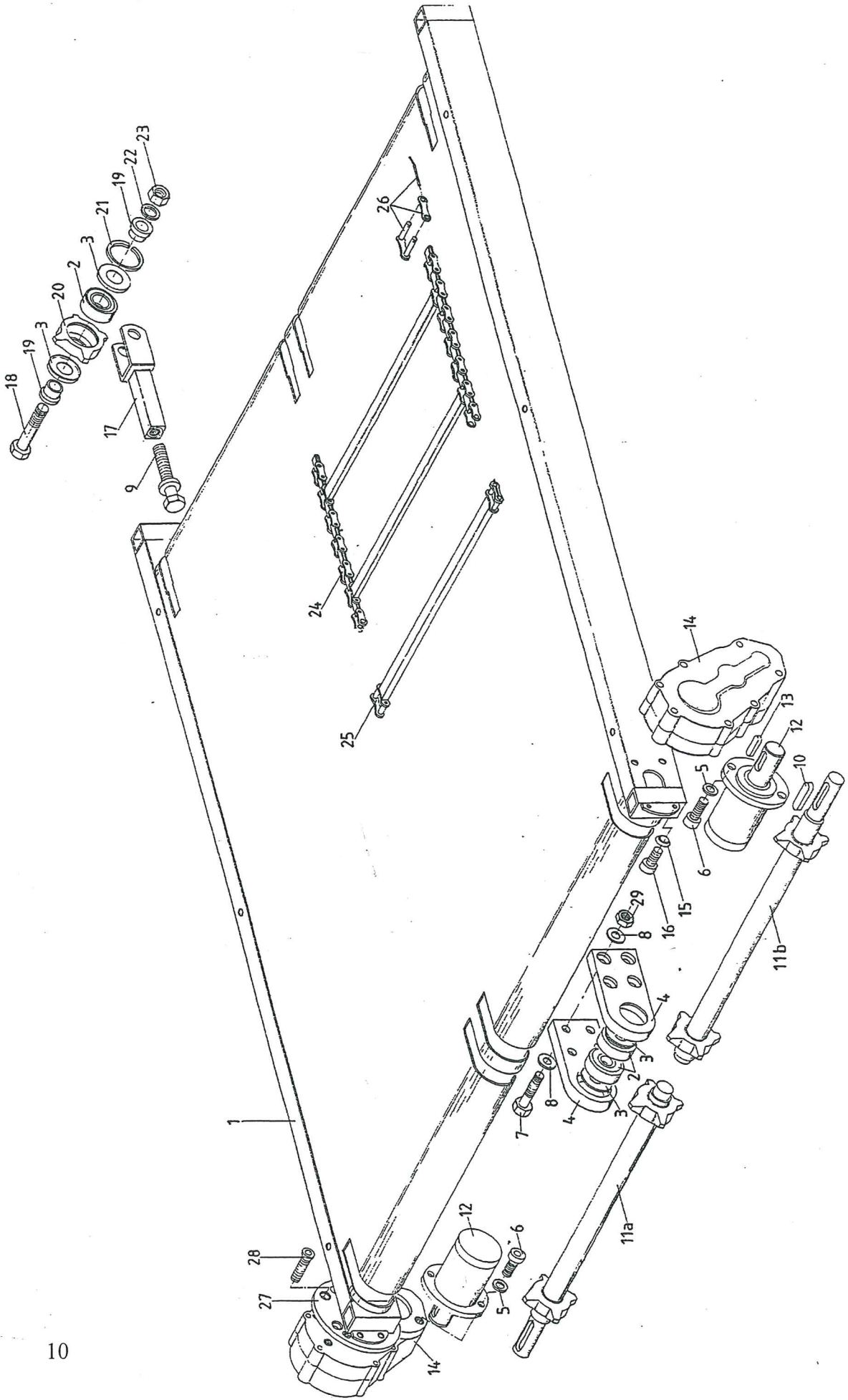


3. FLOOR CHAIN WITH DRIVE RAPIDE 130E

BODEMKETTING MET AANDRIJVING RAPIDE 130E

Drawing no. : 975.0019

<i>Fig.</i>	<i>SR-no.</i>	<i>Omschrijving</i>	<i>Description</i>
2	401.0107	Kogellager 6306-2RS	Ball bearing 6306-2RS
3	361.0119	Nilosring 6306-AV	Nilos ring 6306-AV
4	941.0042	Glandlagerhuis	Gland bearing housing
5	316.0904	Veerring 12 mm	Spring ring 12 mm
6	302.0615	Cilinderkopbout M12×35	Cylinder head bolt M12×35
7	402.0165	Steunlagerblok 50	Suspension bearing block 50
8	966.0001	Steunlagerhuis	Suspension bearing housing
9	303.0958	Spanbout M16	Tensioning bolt M16
10	315.0121	Spie 14×9×80	Feather key 14×9×80
11	968.0361	Transportkettingas	Transport chain pinion axle
12	355.0510	Hydromotor OMP-125	Hydro Motor OMP-125
13	315.0103	Spie 8×7×30	Feather key 8×7×30
14	351.0024	Zijkast Ø45	Side box Ø45
15	316.0917	Bolle veerring C12,5	Spring ring C12,5
16	302.0630	Cilinderkopbout M12×25	Cylinder head bolt M12×25
17	967.0581	Kettingspanner	Chain tensioner
18	301.0745	Bout M16×70	Bolt M16×70
19	925.0481	Klembus	Clamping bush
20	942.0029	Kettingspanviel	Chain sprocket
21	313.0401	Seegersprengring SB72	Seeger circlip-SB72
22	316.0901	Veerring 16 mm	Spring ring 16 mm
23	306.0702	Moer M16	Nut M16
24	967.0032	Bodemketting	Floor chain
25	966.0069	Kettingstaaf 22/2	Chain rod 22/2
26	431.0122	Verbindingschalm	Joining link

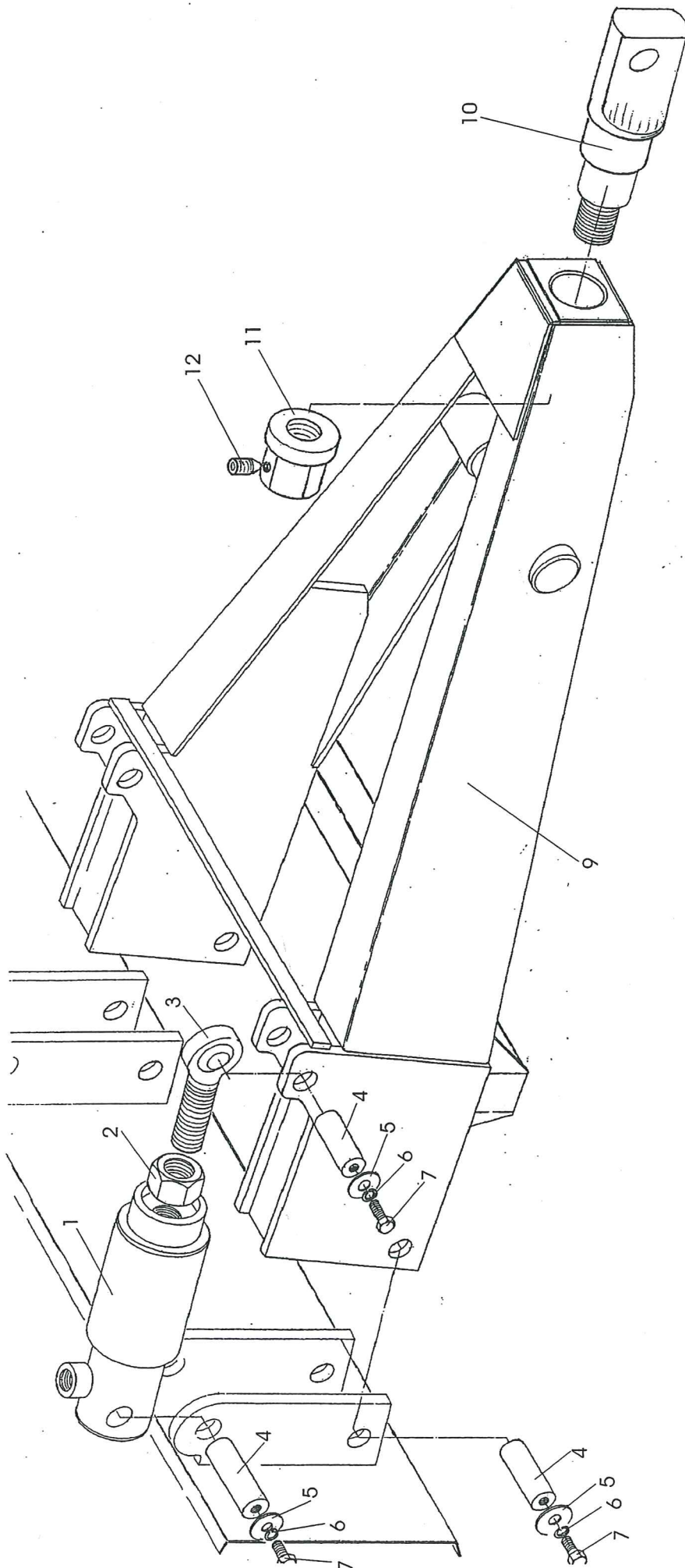


4. FLOOR CHAIN WITH DOUBLE DRIVE RAPIDE 160 AND 200

BODEMKETTING MET DUBBELE AANDRIJVING RAPIDE 160 EN 200

Drawing no. : 975.0020

<i>Fig.</i>	<i>SR-no.</i>	<i>Omschrijving</i>	<i>Description</i>
2	401.0107	Kogellager 6306 - 2RS	Ball bearing 6306 - 2RS
3	361.0119	Nilosring 6306 - AV	Nilos ring 6306-AV
4	377.0303	Lagerplaat	Bearing plate
5	316.0904	Veerring 12 mm	Spring washer 12 mm
6	302.0615	Cilinderkopbout M12×35	Cylinder head bolt M12×35
7	302.0643	Cilinderkopbout M12×55	Cylinder head bolt M12×55
8	316.0702	Sluitring A13	Washer A13
9	303.0958	Spanbout M16	Tension bolt M16
10	315.0121	Spie 14×9×80	Feather key 14×9×80
11a	960.0678	Transportkettingas Li. Rapide 160	Transport chain pinion axle left Rapide 160
	969.0974	Transportkettingas Li. Rapide 200	Transport chain pinion axle left Rapide 200
11b	960.0679	Transportkettingas Re. Rapide 160	Transport chain pinion axle right Rapide 160
	969.0975	Transportkettingas Re. Rapide 200	Transport chain pinion axle right Rapide 200
12	355.0035	Hydromotor OMP-160 Rapide 160	Hydro Motor OMP-160 Rapide 160
	355.0037	Hydromotor OMP-200 Rapide 200	Hydro Motor OMP-200 Rapide 200
13	315.0103	Spie 8×7×30	Key 8×7×30
14	351.0024	Zijkast Ø45	Side box Ø45
15	316.0917	Bolle veerring C12,5	Spring washer C12,5
16	302.0630	Cilinderkopbout M12×25	Cylinder head bolt M12×25
17	967.0581	Kettingspanner 4T Rapide 160	Chain tensioner 4R Rapide 160
	969.0976	Kettingspanner 5T Rapide 200	Chain tensioner 5T Rapide 200
18	301.0745	Bout M16×70	Bolt M16×70
19	925.0481	Klembus	Clamping bush
20	942.0029	Kettingspanwiel 4T Rapide 160	Chain sprocket 4T Rapide 160
	258.0029	Kettingspanwiel 5T Rapide 200	Chain sprocket 5T Rapide 200
21	313.0401	Seegersprengring SB72	Seeger circlip SB72
22	316.0901	Veerring 16 mm	Spring washer 16 mm
23	306.0702	Moer M16	Nut M16
24	960.0680	Bodemketting-2delig Rapide 160	Floor chain (2-part) Rapide 160
	961.0149	Bodemketting-2delig Rapide 200	Floor chain (2-part) Rapide 200
25	960.0694	Kettingstaaf	Chain rod
26	431.0153	Verbindingsschalm	Joining link
27	933.0978	Bevestigingsschijf	Mounting disc
28	303.0932	Verz. bout M12×25	Bolt M12×25
29	306.0302	Borgmoer M12	Locking nut M12

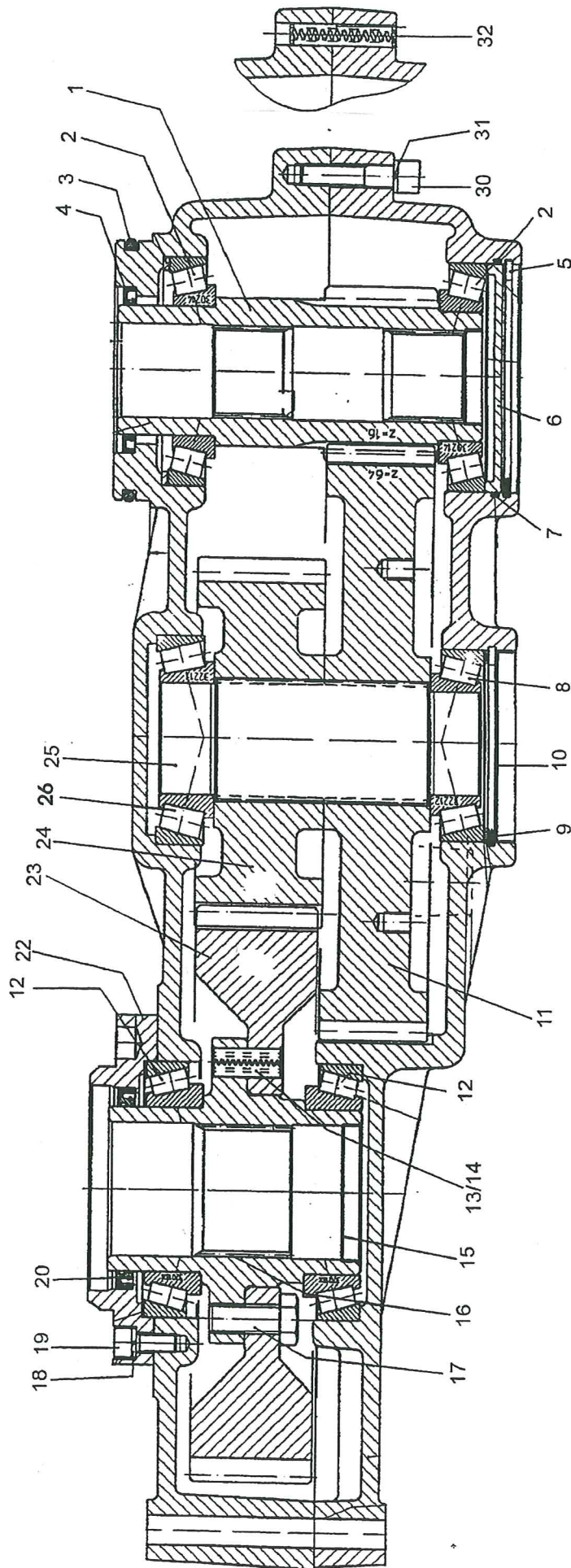


5. Towbar

TREKKOP

Drawing no. 975.0034

<i>Fig.</i>	<i>SR-no.</i>	<i>Omschrijving</i>	<i>Description</i>
1	355.0773	Hydraulische cilinder	Hydr. Cylinder
1a	454.0808	Set afdichtingen	Set of seals
2	306.0716	Moer M39×3	Nut M39×3
3	401.0222	Stangkop GAR-40	Rod end GAR-40
4	920.0753	Scharnierpen-30	Pivoting pin-30
5	316.0742	Sluitring 50/11-8	Washer 50/11-8
6	316.0906	Veerring 10 mm	Spring washer 10 mm
7	301.0805	Bout M10×25	Bolt M10×25
8	921.0077	Scharnieras-40	Hinge pin-40
9	961.0212	Trekkop-E	Tow bar-E
10	921.0330	Draaibaar trekoog	Revolving drawing eye
11	961.0799	Moer M60x2-R	Nut M60x2-R
12	304.0107	Stelschroef M10x12	Set screw M12x12

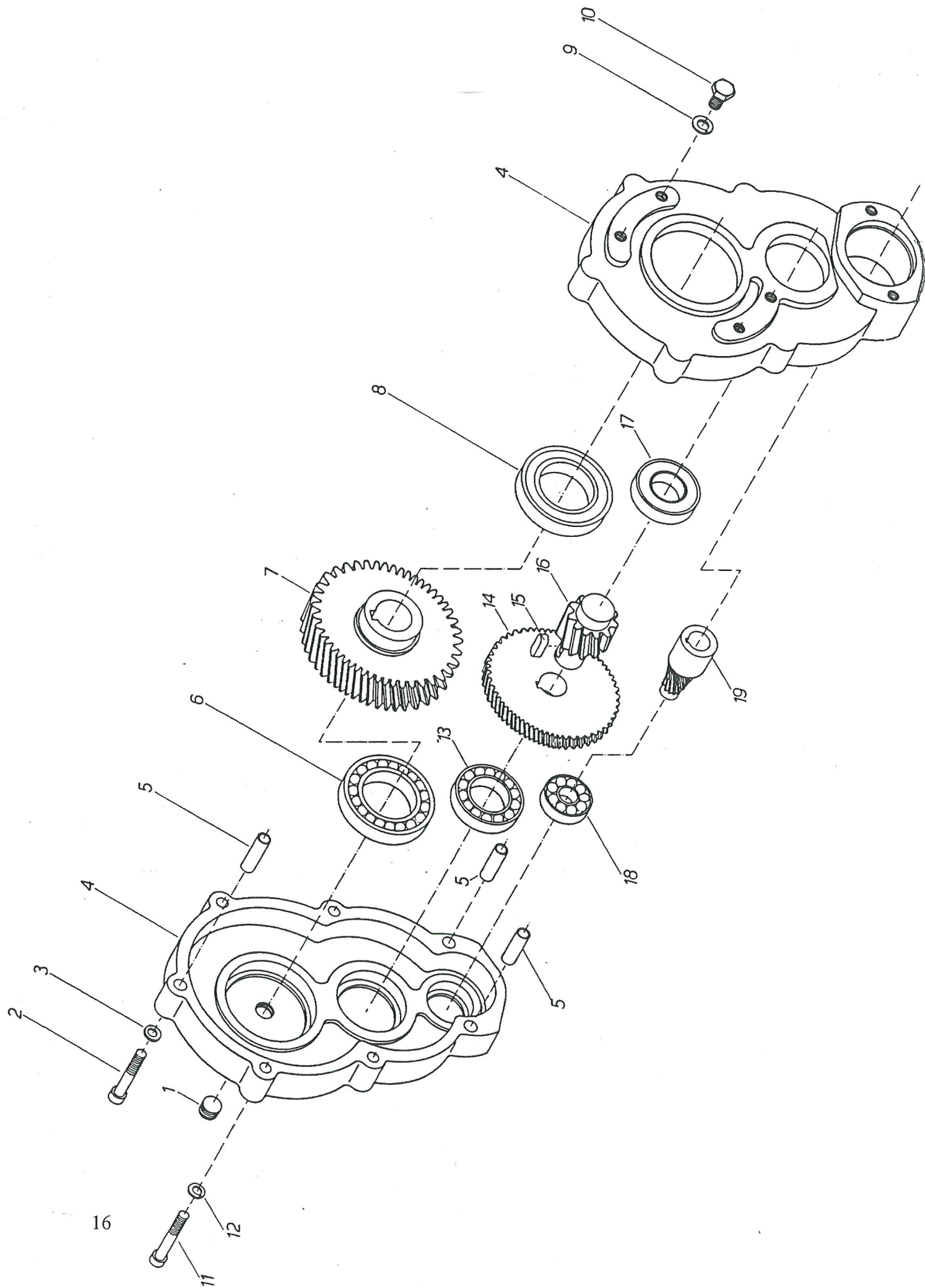


6. ROTOR GEARBOX

ROTOR TANDWIELKAST

Artikle no. : 351.0074

<i>Fig.</i>	<i>SR-no.</i>	<i>Omschrijving</i>	<i>Description</i>
1	456.0066	Rondselas A50×45 Z=16	Pinion A50×45 Z=16
2	401.0197	Kegellager 30214	Cone bearing 30214
3	365.0013	O-ring 130×5	O-ring 130×5
4	361.0138	Oliekeerring 70×90×7	Oil catcher 70×90×7
5	313.0218	Borgring I-125	Locking ring I-125
6	456.0071	Deksel-125	Cover-125
7	365.0015	O-ring 125×3	O-ring 125×3
8	401.0145	Kegellager 32212	Cone bearing 32212
9	313.0216	Borgring I-110	Locking ring I-110
10	349.0098	Deksel !10	Cover 110
11	456.0067	Tandwiel Z=64	Gear sheel Z=64
12	401.0149	Kegellager 32018	Cone bearing 32018
13	312.0136	Spanhuls 16×40	Clamping sleeve 16×40
14	312.0135	Spanhuls 10×40	Clamping sleeve 10×40
15	349.0092	Deksel 75	Cover 75
16	456.0069	Profielnaaf A72	Nave with splines A72
17	302.0644	Bout M16×1,5×40	Bolt M16×1,5×40
18	316.0906	Veerring 10mm	Spring washer 10mm
19	302.0601	Cilinderkopbout M10×25	Cylinder head bolt M10×25
20	361.0149	Oliekeerring 90×110×10	Oil catcher 90×110×10
22	456.0071	Lagerdeksel	Bearing cover
23	456.0303	Tandwiel Z=37m8	Gear wheel Z=37m8
24	456.0304	Tandwiel Z=23m8	Gear wheel Z=23m8
25	456.0073	Profielas	Shaft with splines
26	401.0195	Kegellager 32213	Cone bearing 32213
30	302.0642	Cilinderkopbout M12×45	Cylinder head bolt M12×45
	302.0643	Cilinderkopbout M12×55	Cylinder head bolt M12×55
	302.0616	Cilinderkopbout M12×100	Cylinder head bolt M12×100
31	316.0904	Veerring 12mm	Spring washer 12mm
32	312.0137	Spanhuls 12×60	Clamping sleeve 12×60
33	456.0019	Ontluchtingsnippel M18×1,5	Air release plug M18×1,5
34	355.0279	Vulplug M18×1,5	Drain plug M18×1,5
35	456.0058	Aftapplug magn. M18×1,5	Drain plug magn. M18×1,5
36	364.0025	Dichtring 18×24×1,5	Sealing ring 18×24×1,5

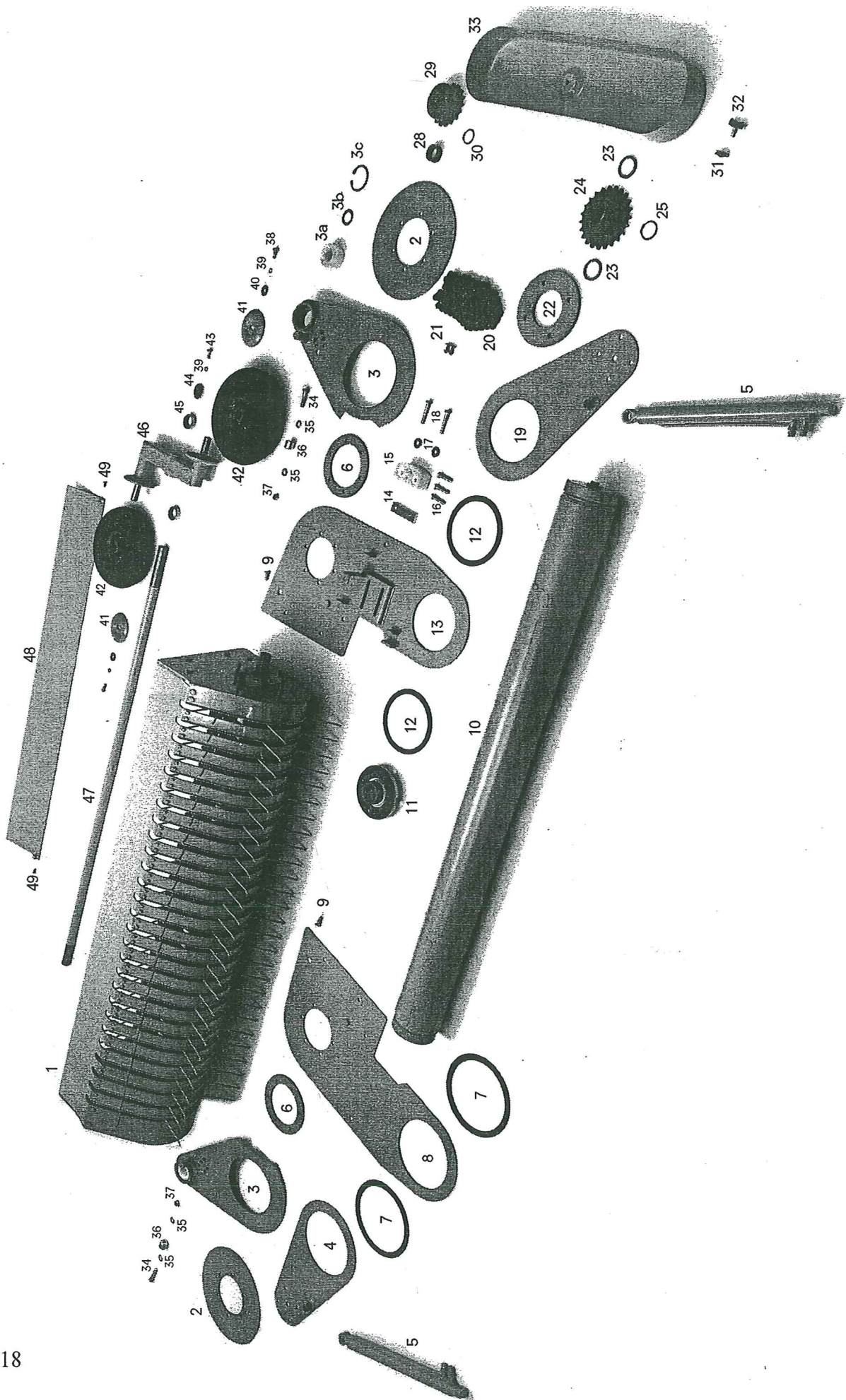


7. FLOOR DRIVING GEAR.

BODEM-AANDRIJFKAST

Artikcle no. : 351.0024

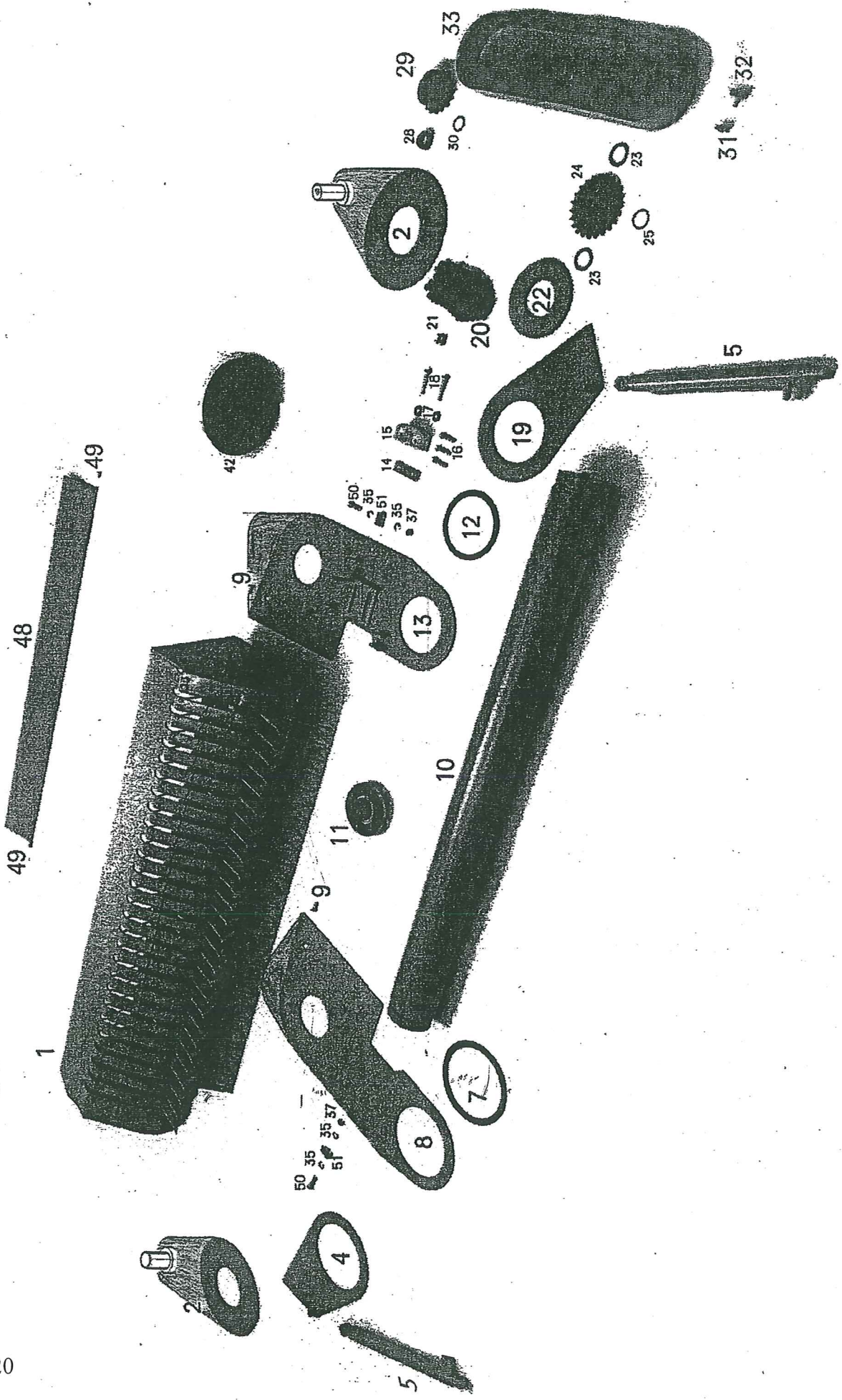
<i>Fig.</i>	<i>SR-no.</i>	<i>Omschrijving</i>	<i>Description</i>
1	381.0111	Draadstop M20×1,5	Screw plug M20×1,5
2	302.0013	Cilinderbout M10×65	Cylinder head bolt M10×65
3	316.0906	Veerring 10 mm	Spring washer 10 mm
4	450.0766	Tandwielkast (2-delig)	Gear case (2-parts)
5	312.0127	Spanhuls 13×50	Clamping sleeve 13×50
6	401.0176	Kogellager 6013	Ball bearing 6013
7	456.0043	Tandwiel met gat Ø45	Gear wheel with hole Ø45
8	401.0177	Kogellager 6013-2RS	Ball bearing 6013-2RS
9	316.0917	Bolle veerring 12,5 mm	Spring washer 12,5 mm
10	301.0807	Bout M12×25	Bolt M12×25
11	302.0613	Cilinderkopbout M10×70	Cylinder head bolt M10×70
12	316.0705	Sluitring A 10,5	Washer A 10,5
13	401.0118	Kogellager 6009	Ball bearing 6009
14	450.0769	Tandwiel	Gear wheel
15	315.0103	Inlegspie 8×7×30	Key 8×7×30
16	450.0768	Tandrondsel	Pinion
17	401.0175	Kogellager 6207-2RS	Ball bearing 6207-2RS
18	451.0031	Kogellager 6304	Ball bearing 6304
19	450.0767	Tandas	Pinion



8. PICK-UP SUSPENSION WITH DRIVE (5-ROWS) RAPIDE 130E AND 160

PICK-UP OPHANGING MET AANDRIJVING (5-BALKS) RAPIDE 130E EN 160

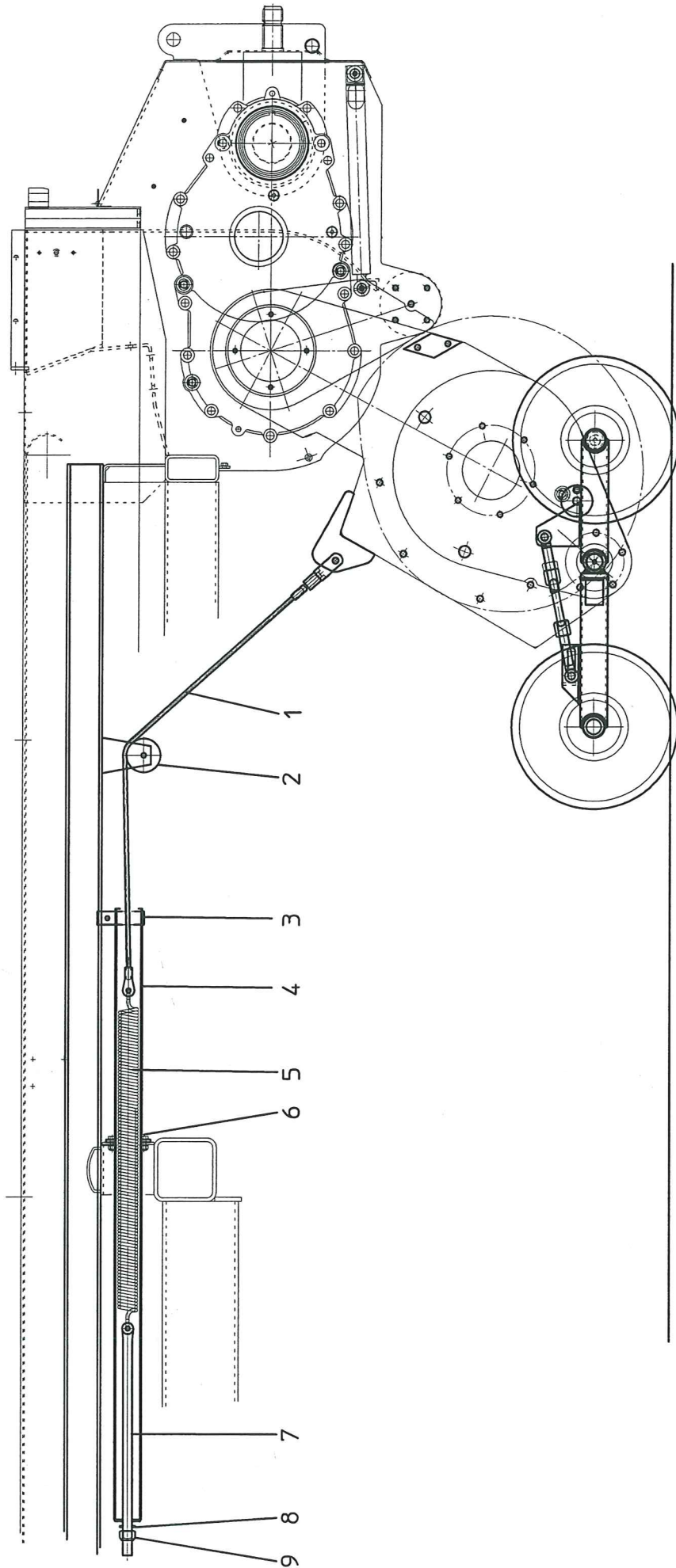
<i>Fig.</i>	<i>SR-no.</i>	<i>Omschrijving</i>	<i>Description</i>
1	433.0108	5-Balks Pick-up compleet	Pick-up, 5 rows complete
2	935.0425	Buitenschijf	Outer disc
3	968.0731	Loopwielplaat	Runner wheel plate
3a	402.0203	Glijlager N3536	Slide bearing N3536
3b	403.0129	Axiaalschijf AS 3552	Axial disc AS 3552
3c	313.0215	Binnenborgring I-68	Locking ring I-68
4	961.0527	Rolplaat rechts Rap.130E	Roller plate right Rap.130 E
	961.0529	Pick-up hefplaat rechts Rap.160	Pick-up lifting plate right Rap.160
5	355.0792	Hydraulische cilinder (incl. 5a en b)	Hydr. Cylinder (incl. 5a and b)
5a	402.0128	Glijlager 20/20	Slide bearing 20/20
5b	454.0810	Set afdichtingen t.b.v. 5	Set of seals for 5
6	934.0073	Binnenschijf	Inner disc
7	402.0208	U-glijlager 192	U-slide bearing 192
8	953.0731	Pick-up plaat 60-re.	Pick-up plate 60-right
9	303.0948	Pl. verzonken bout M10×30	Countersunk bolt M10×30
10		Invoerrol Rap.130E (zie blz. 33)	Feed roller Rap.130E (See page 33)
		Invoerrol Rap.160 en 200 (zie blz. 33)	Feed roller Rap.160 and 200 (See page 33)
11	900.0132	Flenslager RME 60/192	Flange bearing RME 60/192
12	402.0208	U-Glijlager 192	U-slide bearing 192
13	953.0742	Pick-up plaat 60-li.	Pick-up plate 60-left
14	912.0671	Spanstrip TB-10	Tensioning strip TB-10
14a	302.0935	Spanbout M10×140	Tension bolt M10×140
15	353.0202	Spanblok	Tension block
17	316.0719	Sluitplaat 10,5 mm	Ring 10,5 mm
18	301.0726	Bout M10×60	Bolt M10×60
19	961.0526	Rolplaat links Rap.130E	Roller plate left Rap.130E
	961.0528	Pick-up hefplaat links Rap.160	Pick-up lifting plate left Rap.160
20	356.0128	Ketting ¾" - 77	Chain ¾" - 73
21	356.0129	Verbindingsschakel ¾"	Joining link ¾"
22	936.0809	Eindflens 60/8	End flange 60/8
24	953.0673	Kettingwiel ¾" - 26 met breekbout	Chain wheel ¾" - 26 with shearing bolt
24a	900.0211	Breekbout M12×62	Shearing bolt M12×62
25	313.0121	Buitenborgring A-60	Locking ring A-60
28	926.0164	Ring - 27	Ring - 27
29	353.0350	Kettingwiel ¾"-19/35	Chain wheel ¾"-19/35
30	313.0105	Buitenborgring A-35	Locking ring A-35
31	306.0359	Plaatmoer M8 zelfborgend	Self-locking plate nut M8
32	301.0801	Bout M8×16	Bolt M8×16
32a	316.0722	Sluitplaat 8,4 mm	Washer 8,4 mm
33	375.0501	Beschermkap	Protective cover
34	301.0715	Bout M12×45	Bolt M12×45
35	316.0702	Sluitring A13	Washer A13
36	921.0024	Aanslagnok	Stop boss
37	306.0302	Borgmoer M12	Locking nut M12
38	301.0809	Bout M10×20	Bolt M10×20
39	316.0906	Veerring 10 mm	Spring washer 10 mm
40	316.0715	Sluitring R11	Washer R11
41	934.0474	Afdekkapje buiten	Guard, outer
42	432.0790	Wiel 4.00×4-6 Pr.	Wheel 4.00×4-6 Pr.
43	301.0811	Bout M10×30	Bolt M10×30
44	316.0742	Sluitring 50/11-8	Washer 50/11-8
45	402.0141	Glijlager 35/20	Slide bearing 35/20
46	967.0432	Loopwielenarm	Runner wheel arm
47	920.0839	Loopwielenas	Runner wheel shaft
48	968.0343	Achterplaat	Back plate
49	303.0912	Pl. verzonken bout M8×20	Countersunk bolt M8×20



9. PICK-UP SUSPENSION WITH DRIVE (6-ROWS) RAPIDE 200

PICK-UP OPHANGING MET AANDRIJVING (6-BALKS) RAPIDE 200

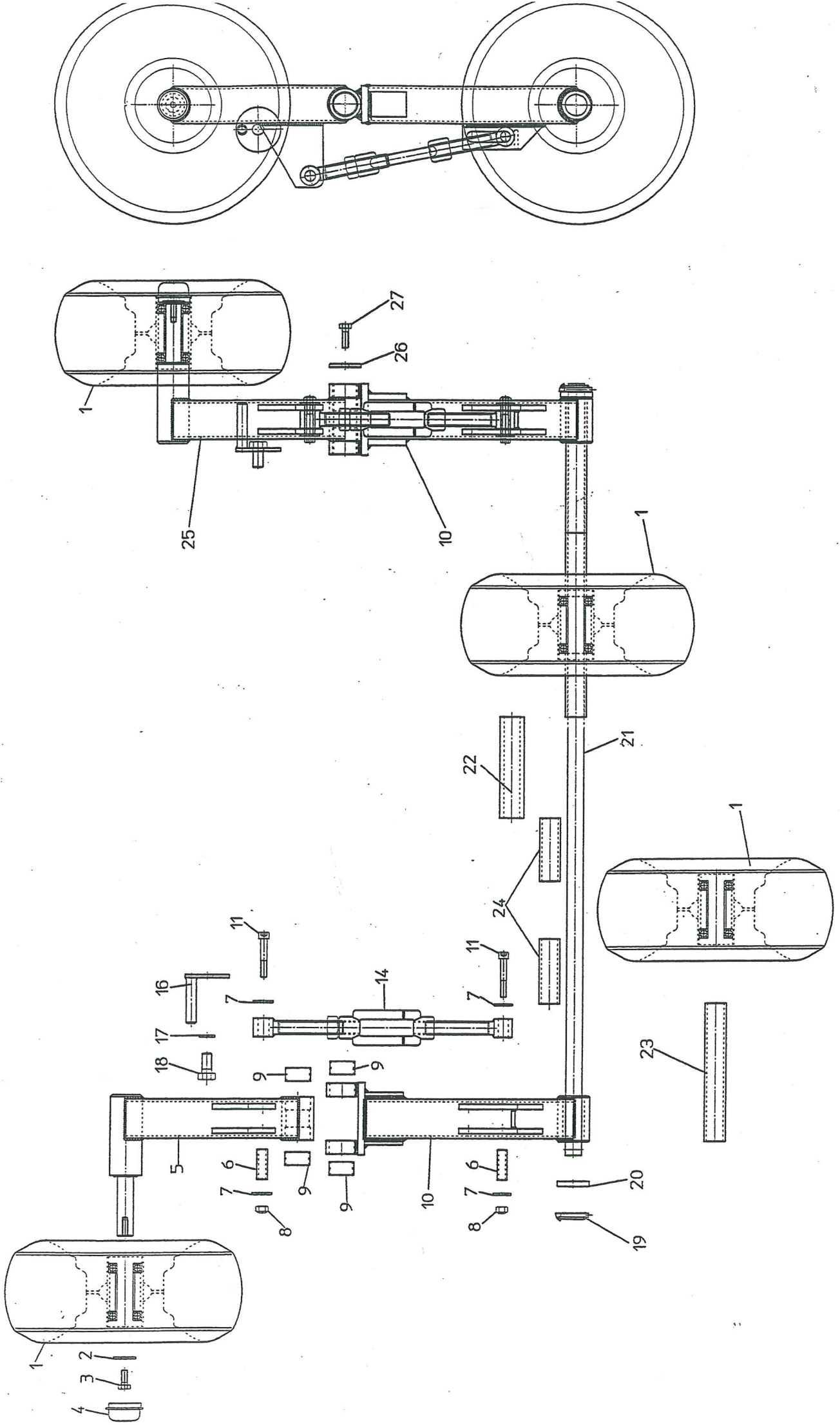
<i>Fig.</i>	<i>SR-no.</i>	<i>Omschrijving</i>	<i>Description</i>
1	433.0117	6-Balks Pick-up compleet	Pick-up, 6 rows, complete
2	961.0532	Buitenplaat met verstelpen li.	Outer plate with adjusting bolt left
	961.0533	Buitenplaat met verstelpen re.	Outer plate with adjusting bolt, right
4	961.0529	Pick-up hefplaat rechts	Pick-up lifting plate right
5	355.0792	Hydraulische cilinder (incl. 5a en b)	Hydr. cylinder (incl. 5a and b)
5a	402.0128	Glijlager 20/20	Slide bearing 20/20
5b	454.0810	Set afdichtingen t.b.v. 5	Set of seals for 5
7	402.0208	U-glijlager 192	U-Slide bearing 192
8	953.0745	Pick-up plaat R8/P6 rechts	Pick-up plate R8/P6 right
9	303.0948	Pl. verzonken bout M10×30	Countersunk bolt M10×30
10		Invoerrol Ø140 (zie blz. 33)	Feed roller Ø140 (See page 33)
11	900.0132	Flenslager RME 60/192	Flange bearing RME 60/162
12	402.0208	U-Glijlager 192	U-Slide bearing 192
13	953.0744	Pick-up plaat R8/P6 links	Pick-up plate R8/P6 left
14	912.0671	Spanstrip TB-10	Tensioning strip TB-10
14a	302.0935	Spanbout M10×140	Tension bolt M10×140
15	353.0204	Spanblok-65	Tension block-65
17	316.0719	Sluitplaat 10,5 mm	Washer 10,5 mm
18	301.0752	Bout M10×75	Bolt M10×75
19	961.0528	Pick-up hefplaat links	Pick-up lifting plate, left
20	356.0192	Ketting 1"-63	Chain 1"-63
21	356.0144	Verloopschalm 1"	Adapter link 1"
	356.0143	Verbindingsschakel 1"	Joining link 1"
22	936.0809	Eindflens 60	End flange 60
24	953.0672	Kettingwiel 1" - 21 met breekbout	Chain wheel 1" - 21 with shearing bolt
24a	900.0311	Breekbout M12×55	Shearing bolt M12×55
25	313.0121	Buitenborgring A-60	Locking ring A-60
29	953.0689	Kettingwiel 1"-18 met vrijloop	Chain wheel 1"-18, with freewheel device
30	921.0279	Eindschijf	End disc
30a	403.0121	Schijf AS-3047	Disc AS-3047
30b	303.0932	Verz. Bout M12×25	Countersunk bolt M12×25
31	306.0359	Plaatmoer M8 zelfborgend	Self-locking nut M8
32	301.0801	Bout M8×16	Bolt M8×16
32a	316.0722	Sluitplaat 8,4 mm	Washer 8,4 mm
33	375.0512	Beschermkap	Protective cover
34	301.0715	Bout M12×45	Bolt M12×45
35	316.0702	Sluitring A13	Washer A13
37	306.0302	Borgmoer M12	Locking nut M12
38	301.0809	Bout M10×20	Bolt M10×20
39	316.0906	Veerring 10 mm	Spring washer 10 mm
40	316.0715	Sluitring R 11	Washer R 11
42	432.0880	Wiel 15x16.00-6-V64 6PR	Wheel 15x16.00-6-V64 6PR
48	968.0343	Achterplaat	Rear plate
49	303.0912	Pl. verzonken bout M8×20	Countersunk bolt M8×20
50	301.0804	Bout M12×35	Bolt M12×35
51	913.0271	Hefblok	Lifting block
51a	281.0028	Slijstrip	Wear strip
51b	913.0272	Steunstrip	Support strip



10. PICK-UP (6-ROWS) SPRING SUSPENSION GEAR RAPIDE 200

PICK-UP (6-BALKS) VERENDE OPHANGING RAPIDE 200

<i>Fig.</i>	<i>SR-no.</i>	<i>Omschrijving</i>	<i>Description</i>
1	462.0179	Staalkabel	Steel cable
2	281.0033	Kabelrol	Cable roller
2a	925.0712	Busje L=40.	Tube L=40
2b	301.0725	Bout M10x65	Bolt M10x65
2c	316.0705	Sluitring A10,5	Washer A10,5
2d	306.0306	Borgmoer M10	Locking nut M10
3	913.0774	Klembeugel	Clamp
3a	301.0730	Bout M8x70	Bolt M8x70
3b	316.0703	Sluitring A8,4	Washer A8,4
3c	306.0312	Borgmoer M8	Locking nut M8
4	969.0990	Veerbuis	Springtube
5	331.0116	Trekveer	Draw spring
6	301.0805	Bout M10x25	Bolt M10x25
6a	316.0705	Sluitring A10,5	Washer A10,5
6b	306.0306	Borgmoer M10	Locking nut M10
7	969.0998	Veerspanstang	Spring stretcher
8	316.0725	Sluitring A21	Washer A21
9	306.0706	Moer M20	Nut M20

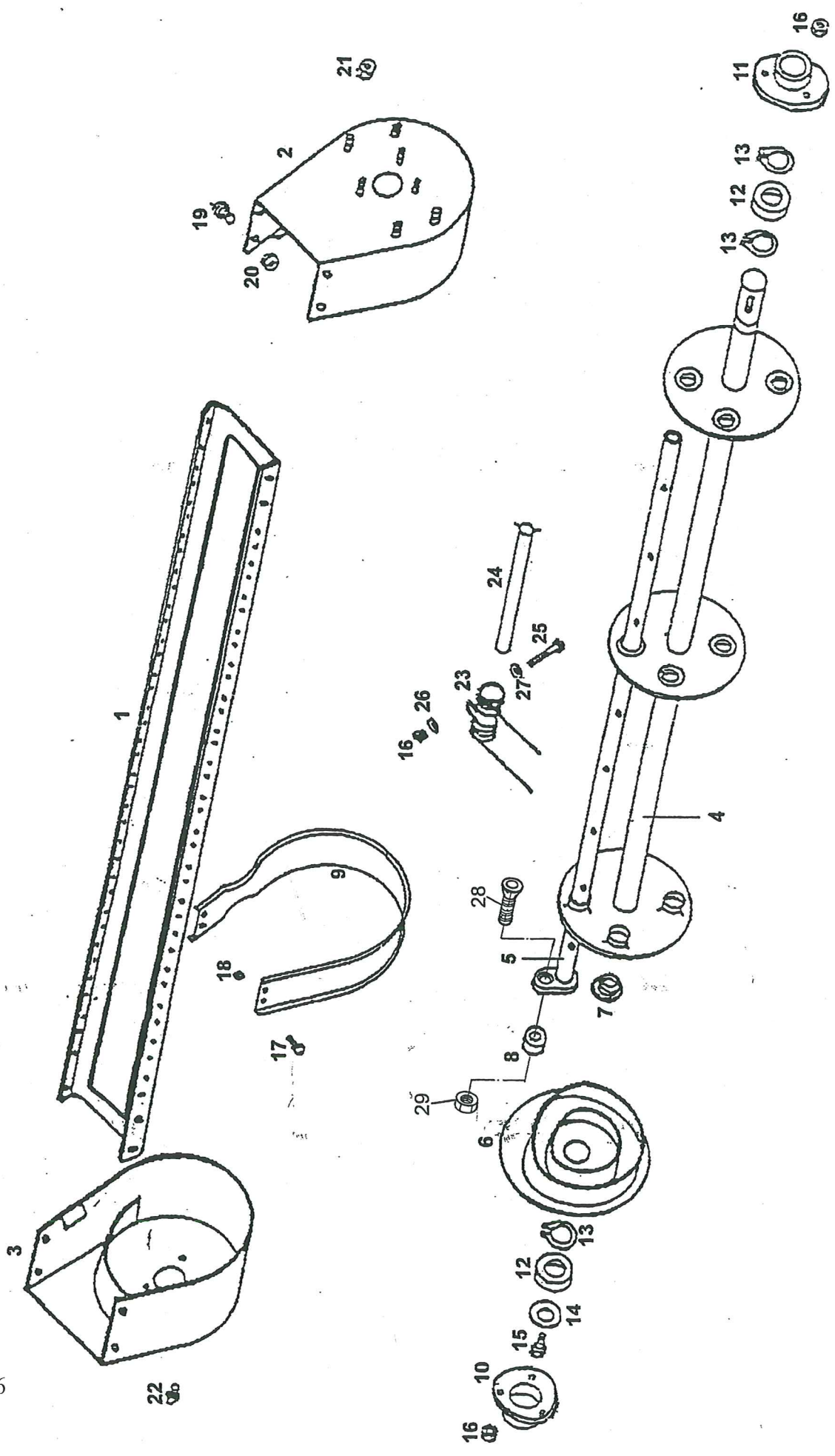


11. DOUBLE RUNNER WHEEL RAPIDE 200

TANDEM LOOPWIELSTEL RAPIDE 200

Drawing no. : 994.0471

<i>Fig.</i>	<i>SR-no.</i>	<i>Omschrijving</i>	<i>Description</i>
1	432.0880	Wiel 15x16.00-6-V64 6PR	Wheel 16x16.00-6-V64 6PR
1a	432.0338	Velg 4.50x6	Rim 4.50x6
1b	401.0143	Kogellager 6205-2RS	Bal bearing 6205-2RS
1c	432.0145	Buitenband 15x6.00-6 V64 6PR	Tyre 15x16.00-6 V64 6PR
1d	432.0146	Binnenband 15x6.00	Inner tub 15x6.00
2	316.0715	Sluitring R11	Washer R11
3	301.0809	Bout M10x20	Bolt M10x20
4	349.0060	Naafdop 52/26	Hub cap 52/26
5	961.0624	Loopwielarm LV	Runner arm LV
6	925.0474	Buisje L46	Bush L46
7	316.0719	Sluitplaat A10,5	Washer A10,5
8	306.0306	Borgmoer M10	Locking nut M10
9	402.0141	Glijlager 35/20	Slide bearing 35/20
10	961.0625	Loopwielarm A	Runner arm A
11	302.0603	Cilinderkopbout M10x60	Cylinder head bolt M10x60
14	953.0719	Stelwartel	Adjusting screw
16	961.0642	Excentriek aanslag	Eccentric stop
17	316.0901	Veerring 16mm	Spring washer 16mm
18	301.0825	Bout M16x30	Bolt M16x30
19	301.0731	Bout M8x60	Bolt M8x60
19a	306.0312	Borgmoer M8	Locking nut M8
20	900.0330	Ring	Disc
21	921.0277	Loopwielenas	Runner shaft
22	926.0408	Buis L850	Bush L850
23	926.0403	Buis L208	Bush L208
24	926.0402	Buis L100	Bush L100
25	961.0626	Loopwielarm RV	Runner arm RV
26	316.0742	Sluitring 50x11-8	Washer 50x11-8
27	301.0811	Bout M10x30	Bolt M10x30

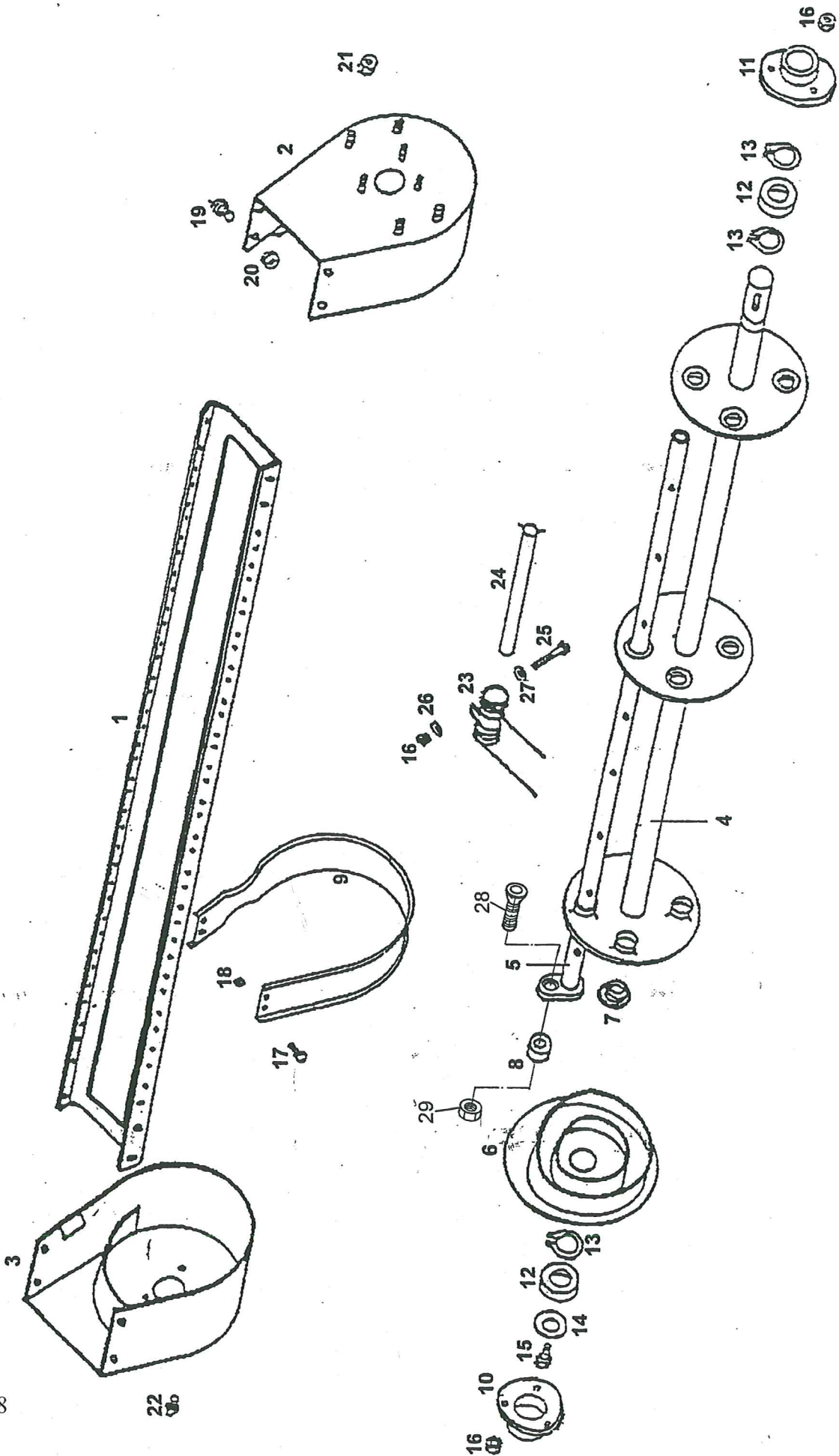


12. 5-ROWS PICK-UP RAPIDE 130E AND 160

5-BALKS PICK-UP RAPIDE 130E EN 160

Article no. complete pick-up: 433.0108

<i>Fig.</i>	<i>SR-no.</i>	<i>Omschrijving</i>	<i>Description</i>
1	-	Frame	Frame
2	458.0045	Eindkap links	End cover left
3	458.0046	Eindkap rechts	End cover right
4	458.0047	Aandrijfas	Drive shaft
5	458.0048	Veeras	Spring shaft
6	458.0049	Curve-plaat	Curve plate
7	450.0938	Nylonbus	Nylon sleeve
8	401.0216	Looprol LR-5201	Roller bearing LR-5201
9	458.0050	Geleidebeugel	Guide bracket
10	458.0054	Lagerhuis blind	Bearing housing
11	458.0055	Lagerhuis met gat	Bearing housing (with hole)
12	401.0175	Kogellager 6207-2RS	Ball bearing 6207-2RS
13	313.0105	Buitenborgring A35	Locking ring A35
14	934.0236	Ring Ø10/40×3	Ring Ø10/40×3
15	301.0801	Bout M8×16	Bolt M8×16
16	306.0380	Borgmoer M8.10	Locking nut M8.10
17	301.0820	Bout M6×16	Bolt M6×16
18	306.0707	Moer M6	Nut M6
19	301.0809	Bout M10×20	Bolt M10×20
20	306.0701	Moer M10	Nut M10
21	306.0704	Moer M12	Nut M12
22	342.0103	Smeernippel M10×1-180	Grease nipple M10×1-180
23	458.0053	Pick-up tand	Pick-up tine
24	458.0051	Tandveerbuis	Tine spring tube
25	301.0136	Bout M8×50 12.9	Bolt M8×50 12.9
26	316.0713	Sluitring R9	Washer R9
27	458.0052	Klemstukje	Clamping piece
28	303.0930	Verz. Bout M12×40	Countersunk bolt M12×40
29	458.0068	Moer M12	Nut M12



13. 6-ROWS PICK-UP RAPIDE 200

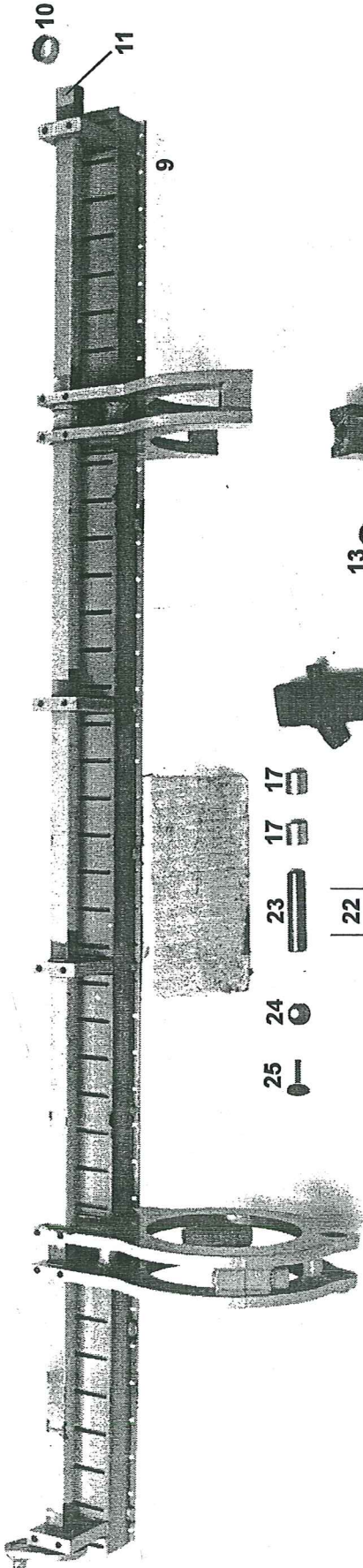
6-BALKS PICK-UP RAPIDE 200

Article no. complete pick-up: 433.0117

<i>Fig.</i>	<i>SR-no.</i>	<i>Omschrijving</i>	<i>Description</i>
1	-	Frame	Frame
2	458.0056	Eindkap links	End cover left
3	458.0057	Eindkap rechts	End cover right
4	458.0070	Aandrijfas 1.3/4-6	Drive shaft 1.3/4-6
5	458.0060	Veeras	Spring shaft
6	458.0062	Curve-plaat	Curve plate
7	450.0938	Nylonbus	Nylon bush
8	401.0216	Looprol LR-6201	Roller bearing LR-6201
9	458.0063	Geleidebeugel	Guide bracket
10	458.0064	Lagerhuis	Bearing housing
11	458.0064	Lagerhuis	Bearing housing
12	401.0208	Kogellager 6209-2RS	Ball bearing 6209-2RS
13	313.0111	Buitenborgring A45	Locking ring A45
14	934.0236	Ring Ø10/40×3	Ring Ø10/40×3
15	301.0801	Bout M8×16	Bolt M8×16
16	306.0380	Borgmoer M8.10	Locking nut M8.10
17	301.0820	Bout M6×16	Bolt M6×16
18	306.0707	Moer M6	Nut M6
19	301.0809	Bout M10×20	Bolt M10×20
20	306.0701	Moer M10	Nut M10
21	306.0704	Moer M12	Nut M12
22	342.0103	Smeernippel M10×1-180	Grease nipple M10×1-180
23	458.0072	Pick-up tand	Pick-up tine
24	458.0051	Tandveerbuis	Tine spring tube
25	301.0136	Bout M8×50 12.9	Bolt M8×50 12.9
26	316.0713	Sluitring R9	Washer R9
27	458.0052	Klemstukje	Clamping piece
28	303.0930	Verz.bout M12×40	Countersunk bolt M12×40
29	458.0068	Moer M12	Nut M12

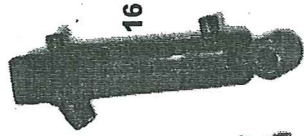


- 5
- 6
- 7
- 8



- 10
- 11

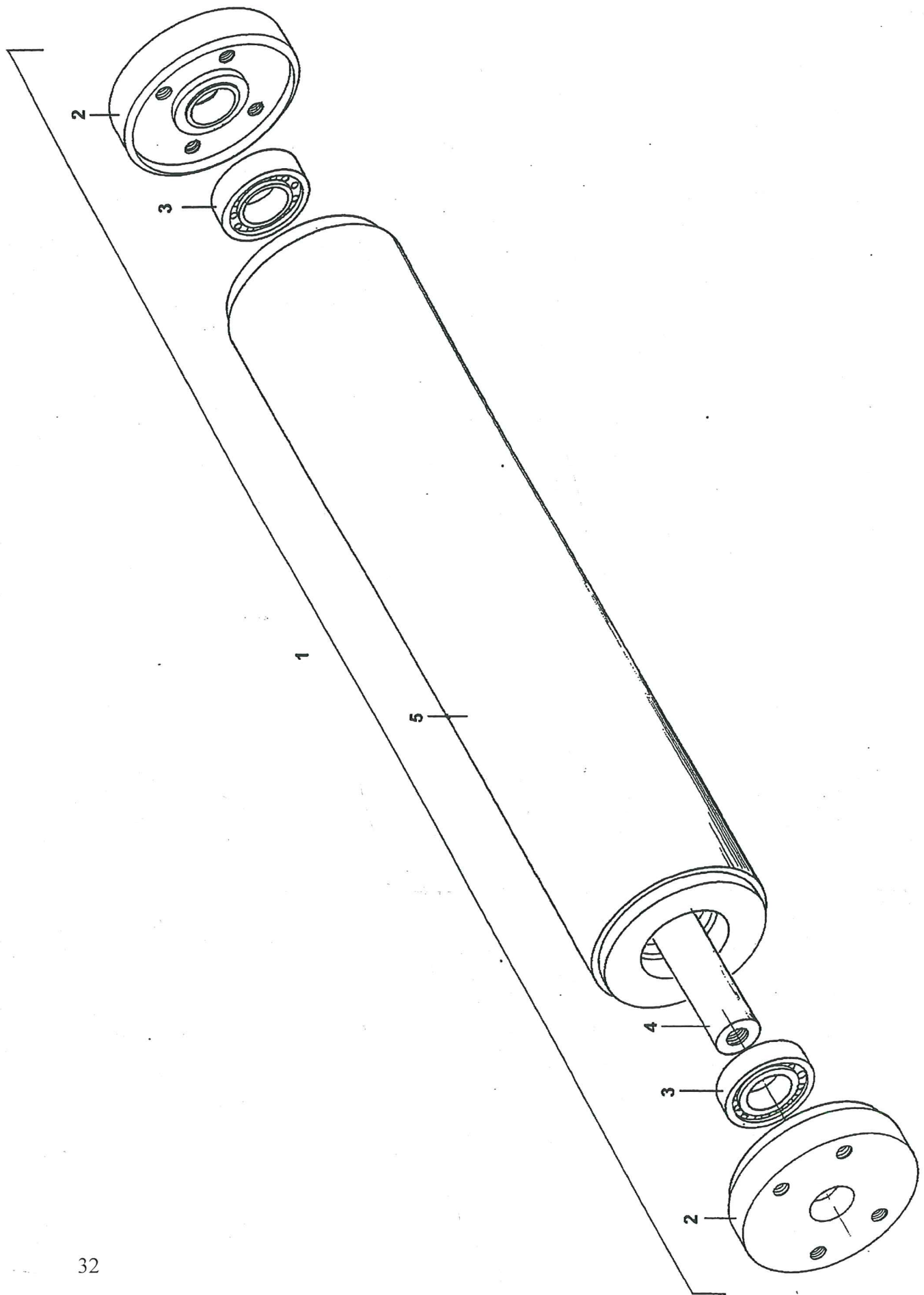
- 25
- 24
- 23
- 22
- 17
- 17
- 17



14. CHOPPING DEVICE

SNIJ-INRICHTING

<i>Fig.</i>	<i>SR-no.</i>	<i>Omschrijving</i>	<i>Description</i>
1	433.0116	Mes	Knife
2	913.0521	Klemstrip-54 voor messenbalk	Clamping-54 strip for cutter bar
3	374.0199	Rubberen afdichtstrook-54	Rubber sealing-54
4	913.0520	Steunstrip-54	Support strip-54
5	316.0705	Sluitring A10,5	Washer A10,5
6	316.0906	Veerring 10 mm	Spring washer 10 mm
7	301.0809	Bout M10×20	Bolt M10×20
8	301.0805	Bout M10×25	Bolt M10×25
9	961.0934	Messenbalk-54 (incl. 10 t/m 14)	Cutter bar-54 (incl. 10 to 14)
10	402.0130	Glijlager 30/15	Slide bearing 30/15
11	967.0040	Messenborg-as	Knife-locking shaft
12	281.0010	Kunststof glijstrook 8×4	Plastic sliding strip 8×4
13	316.0919	Tandveerring J16,5	Toothed spring ring J16,5
14	302.0622	Cilinder kopbout M16×60	Cylinder head bolt M16×60
15	301.0801	Bout M8×16	Bolt M8×16
16	355.0791	Hydr. cilinder D25-50/138 (incl. 17 en 17a)	Hydr. cylinder D25-50/138 (incl. 17and 17a)
	454.0813	Set afdichtingen t.b.v. 16	Set of seals for 16
17	402.0129	Glijlager 20/25	Slide bearing 20/25
	402.0128	Glijlager 20/20	Slide bearing 20/20
18	920.0751	Scharnierpen	Pivoting pin
20	355.0142	Rechte fitting R.1/2"	Straight fitting R.1/2"
21	953.0716	Hydr. membraanaccu 80bar (incl. 20)	Hydr. accumulator 80bar (incl. 20)
	953.0717	Hydr. membraanaccu 120bar (incl. 20)	Hydr. accumulator 120bar (incl.20)
23	900.0379	Bout M20x155	Bolt M20x155
23a	926.0197	Busje L15	Bush L15
23b	306.0314	Borgmoer M20	Locking nut M20
24	306.0704	Moer M12	Nut M12
25	301.0804	Bout M12×35	Bolt M12×35
26	401.0201	Looprol LR 202 NPP	Runner roller LR 202 NPP

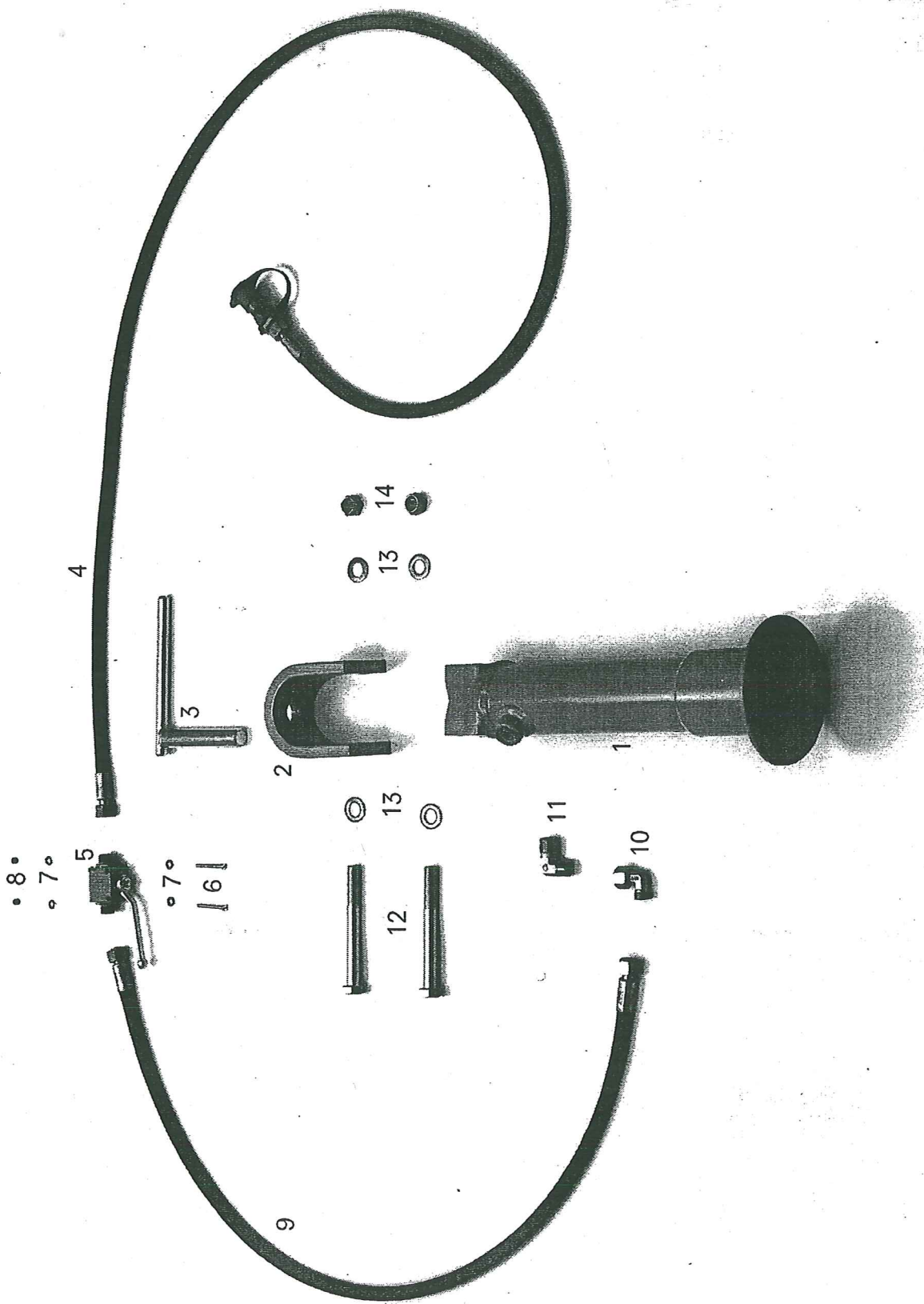


15. FEED ROLLER

INVOERROL

Drawing no. 975.0010

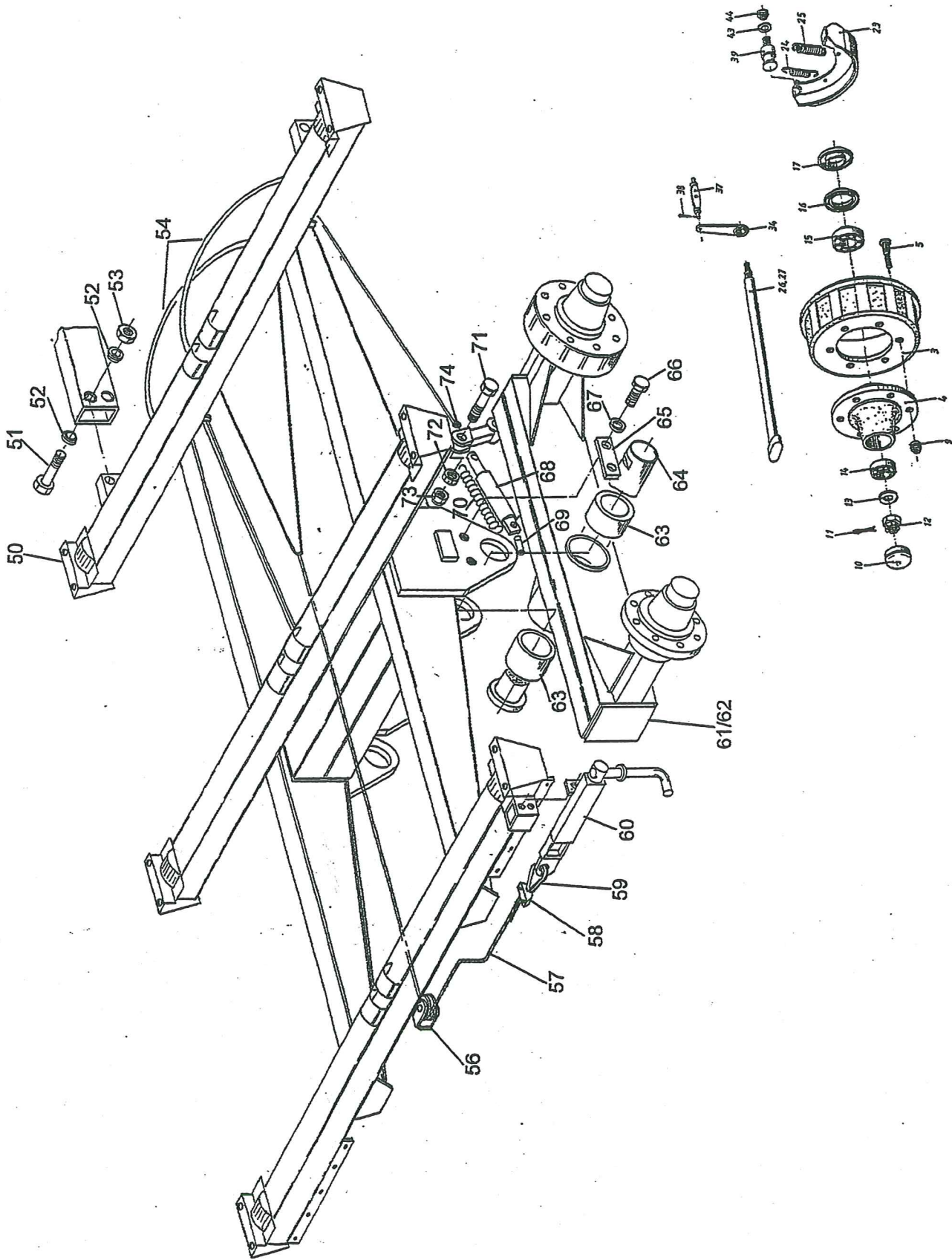
<i>Fig.</i>	<i>SR-no.</i>	<i>Omschrijving</i>	<i>Description</i>
1	953.0503	Invoerrol compleet Rap. 130E	Feed roller complete Rap.130E
	953.0574	Invoerrol compleet Rap. 160 en 200	Feed roller complete Rap.160 and 200
2	920.0799	Eindflens	End flange
3	401.0175	Kogellager 6207-2RS	Ball bearing 6207-2RS
4	920.0801	Rol-as Rap.130E	Roller shaft Rap.130E
	921.0055	Rol-as Rap. 160 en 200	Roller shaft Rap.160 and 200
5	967.0338	Invoerrol Rap.130E	Feed roller Rap.130E
	968.0734	Invoerrol Rap.160 en 200	Feed roller Rap.160 and 200



16. HYDRAULIC PARKING SUPPORT

HYDRAULISCHE STEUNPOOT

<i>Fig.</i>	<i>SR-no.</i>	<i>Omschrijving</i>	<i>Description</i>
1	967.0781	Steunpootcilinder	Parking support cylinder
1a	454.0059	Set afdichtingen t.b.v. 1	Set of seals for 1
2	911.0784	Scharnierstuk	Hinge piece
3	967.0780	Grendelpen	Locking pin
4	417.0432	Hydr. Slang L2600	Hydr. Hose L2600
5	355.0667	Tweeweg kogelkraan NW10	Two-way ball valve NW10
6	303.0952	Cilinder kopschroef M5×45	Cylinder head bolt M5×45
7	316.0730	Sluistring A5,3	Washer A5,3
8	306.0335	Borgmoer M5	Self-locking nut M5
9	417.0404	Hydr. slang L1200	Hydr. Hose L1200
10	355.0197	Instelbare haakse koppeling 12	Adjustable angle coupling 12
11	355.0124	Haakse koppeling	Angle coupling
12	301.0783	Bout M16×140	Bolt M16×140
13	316.0707	Sluistring A17	Washer A17
14	306.0303	Borgmoer M16	Locking nut M16

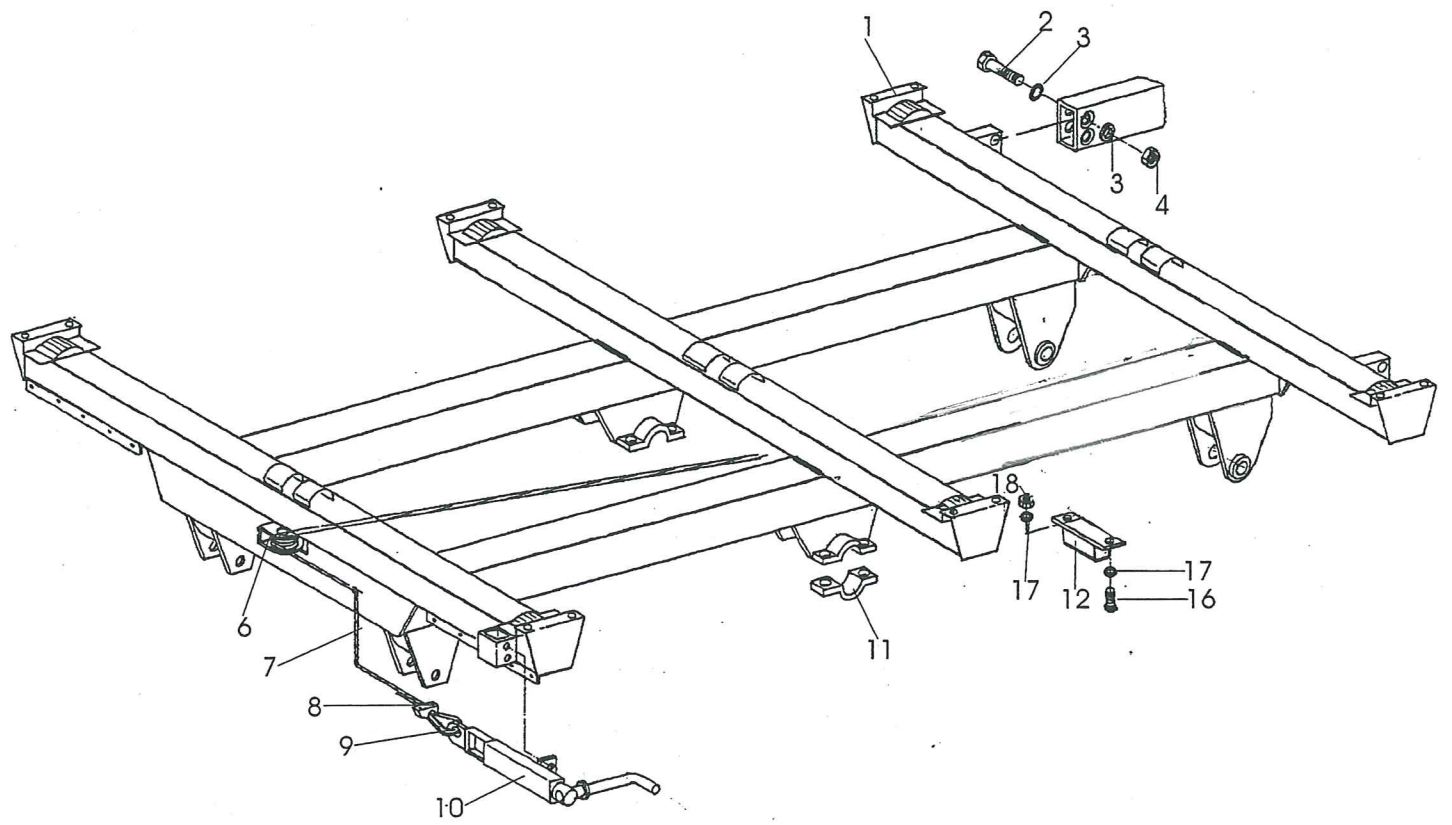


17. TANDEMFRAME TAP/1050-BPW RAPIDE 130E

TANDEM FRAME TAP/1050-BPW RAPIDE 130E

Drawing no. : 975.0026

<i>Fig.</i>	<i>SR-no.</i>	<i>Omschrijving</i>	<i>Description</i>
3	452.0042	Remtrommel 318-20	Brake drum 318-20
4	452.0041	Wielnaaf 7008-20	Wheel hub 7008-20
5	450.0835	Wielbout M20×54	Wheel bolt M20×54
	450.0629	Wielbout M20×70	Wheel bolt M20×70
9	450.0417	Wielmoer M20	Wheel nut M20
9a	450.0631	Conische Veerring 20mm	Conical spring ring 20mm
10	450.0634	Naafdop 90mm	Hub cap 90mm
11	375.0124	Splitpen 6mm	Split pin 6mm
12	306.0317	Kroonmoer M36×1,5	Castle nut M36×1,5
13	316.0739	Schijf 37mm	Disc 37mm
14	450.0319	Kegellager 30210	Cone bearing 30210
15	401.0147	Kegellager 32014	Cone bearing 32014
16	452.0011	Vetkeerring 32014	Oil catcher 32014
17	452.0010	Steunring 32014	Supporting ring 32014
24	450.0274	Trekveer	Draw spring
25	450.0531	Trekveer	Draw spring
26	452.0xxx	Remas	Brake shaft
34	452.0048	Remhefboom FS	Brake lever FS
39	452.0021	Rembout 318	Brake bolt 318
43	316.0918	Veerring 24mm	Spring washer 24mm
44	306.0717	Moer M24×1,5	Nut M24×1,5
50	961.0936	Tandemframe TAP/1050	Tandemframe TAP/1050
51	301.0771	Bout M20×90	Bolt M20×90
52	316.0311	Conische veerring 20mm	Conical spring ring 20mm
53	306.0706	Moer M20	Nut M20
54	462.0169	Buitenkabel	Cable protection
56	462.0127	Kabelrol	Cable roller
57	378.0132	Staalkabel 6mm	Steel cable 6mm
58	378.0118	Kabelklem	Cable clamp
59	378.0102	Punkous	Cable lug
60	968.0628	Parkeerrem	Parking brake
61	435.0936	Pendelarm Li. 7008/1050-318/2	Oscillating lever Left 7008/1050-318/2
62	435.0937	Pendelarm Re. 7008/1050-318/2	Oscillating lever Right 7008/1050-318/2
63	450.0950	Glijlagerbus	Slide-bearing bush
64	435.0907	Pendelas	Oscillating axle
65	435.0908	Borgplaat	Locking plate
66	301.0825	Bout M16×30	Bolt M16×30
67	316.0901	Veerring 16mm	Spring washer 16mm
68	355.0416	Remcilinder	Brake cylinder
68a	454.0115	Set afdichtingen	Set of seals
69	312.0113	Spanstift 6mm	Clamping pin 6mm
70	331.0106	Trekveer	Draw spring
71	301.0759	Bout M16×80	Bolt M16×80
72	306.0702	Moer M16	Nut M16
73	306.0303	Borgmoer M16	Locking Nut M16

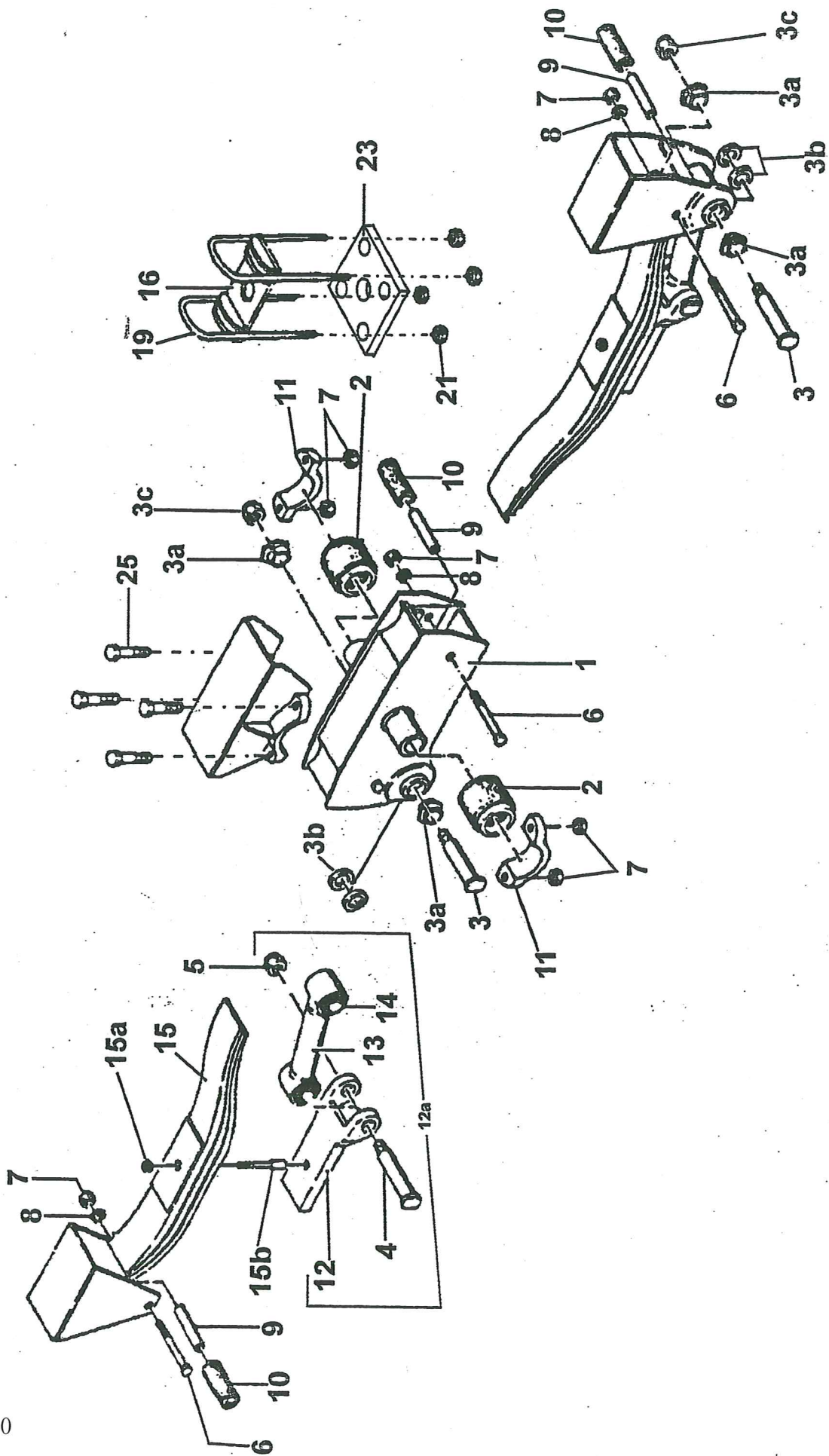


18. TANDEMFRAME SPRING ASSEMBLIE

TANDEM FRAME GEVEERD

Drawing no. : 975.0027

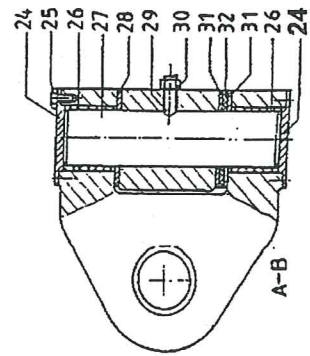
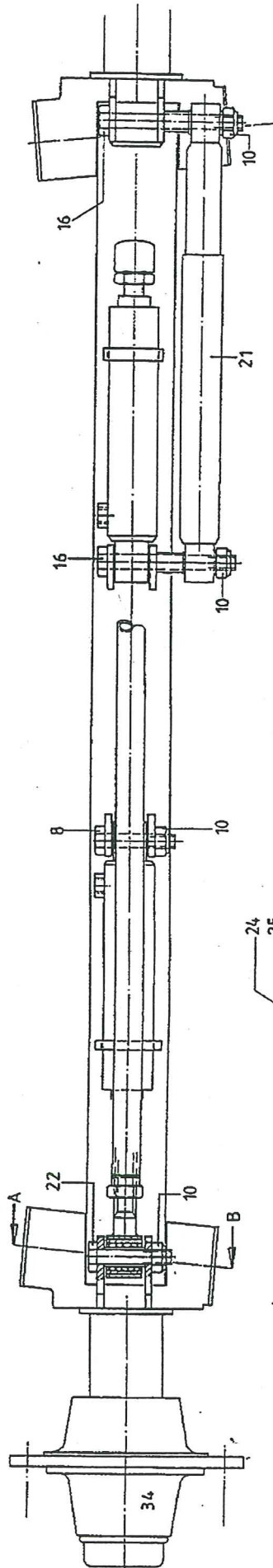
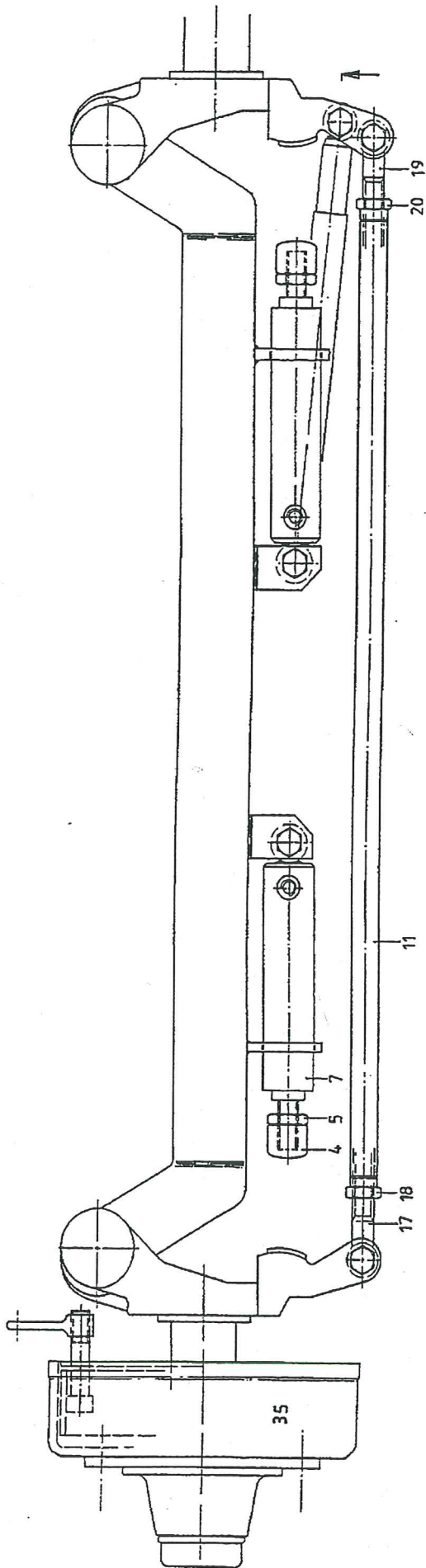
<i>Fig.</i>	<i>SR-no.</i>	<i>Omschrijving</i>	<i>Description</i>
1	961.0580	Tandemframe Rapide 130 E	Tandemframe Rapide 130 E
	969.0808	Tandemframe Rapide 160 en 200	Tandemframe Rapide 160 and 200
2	301.0771	Bout M20×90	Bolt M20×90
3	316.0311	Conische veerring 20mm	Conical spring ring 20mm
4	306.0706	Moer M20	Nut M20
6	462.0127	Kabelrol	Cable roller
7	371.0132	Staalkabel	Steel cable
8	378.0118	Kabelklem	Cable clamp
9	378.0102	Puntkous	Cable lug
10	968.0628	Parkeerrem	Parking brake
11	462.0555	Lagerschaal	Bearing cup
12	376.0158	Rubber aanslagblok	Bump stop
16	301.0805	Bout M10x25	Bolt M10x25
17	316.0705	Sluitring A10,5	Washer A10,5
18	306.0306	Borgmoer M10	Locking nut M10
31	316.0702	Sluitring A13	Washer A13
32	306.0302	Borgmoer M12	Locking nut M12



19. GIGANT SPRING ASSEMBLIES

GIGANT VEERSTELLEN

<i>Fig.</i>	<i>SR-no.</i>	<i>Omschrijving</i>	<i>Description</i>
1	462.0513	Pendelstuk Rap.130E	Oscillating piece Rap.130E
	462.0517	Pendelstuk Rap.160 en 200	Oscillating piece Rap.160 and 200
2	450.0925	Rubberbus	Rubber bushing
3	462.0538	Excenterbout (incl. 3a, b en c)	Eccentric bolt (incl. 3a, b and c)
4	450.0926	Veerbout M27×1,5 (incl. 5)	Suspension bolt (incl. 5)
5	450.0927	Moer M27×1,5	Nut M27×1,5
6	301.0716	Bout M16×130 Rap.130E	Bolt M16×130 Rap.130E
	301.0713	Bout M16×160 Rap.160 en 200	Bolt M16×160 Rap.160 and 200
7	306.0303	Borgmoer M16	Locking nut M16
8	316.0707	Sluitring A17	Washer A17
9	926.0273	Buisje L=96 Rap.130E	Bush L=96 Rap.130E
	926.0274	Buisje L=116 Rap.160 en 200	Bush L=116 Rap.160 and 200
10	462.0556	Rubberrol L=80 Rap.130E	Rubber roller L=80 Rap.130E
	462.0557	Rubberrol L=100 Rap.160 en 200	Rubber roller L=100 Rap.160 and 200
11	462.0555	Lagerschaal middenstoel	Bearing cup middle block
12	-	Veertrekplaat	Spring drawing plate
12a	462.0531	Trekveerarm 80/244 Rap.130E	Draw spring arm 80/244 Rap.130E
	462.0534	Trekveerarm 100/453 Rap.160 en 200	Draw spring arm 100/453 Rap.160 and 200
13	-	Veertrekarm (incl. 14)	Spring draw arm (incl. 14)
14	450.0944	Rubberbus	Rubber bushing
15	462.0521	Veerpakket 80/1200 Rap.130E	Spring assembly 80/1200 Rap.130E
	462.0523	Veerpakket 100/1600-6 Rap.160	Spring assembly 100/1600-6 Rap.160
	462.0524	Veerpakket 100/1600-8 Rap.200	Spring assembly 100/1600-8 Rap.200
16	968.0372	Veerplaat 80/100 Rap.130E	Spring plate 80/100 Rap.130E
	968.0376	Veerplaat 100/110 Rap.160 en 200	Spring plate 100/110 Rap.160 and 200
19	462.0542	Veerstrop M20×320 Rap.130E	Spring U-bolt M20×320 Rap.130E
	462.0546	Veerstrop M24×360 Rap.160	Spring U-bolt M24×360 Rap.160
	462.0548	Veerstrop M24×400 Rap.200	Spring U-bolt M24×400 Rap.200
21	462.0551	Borgmoer M20×2,5 Rap.130E	Locking nut M20×2,5 Rap.130E
	462.0552	Borgmoer M24×3 Rap.160 en 200	Locking nut M24×3 Rap.160 and 200
23	912.0172	Veer-asplaat 80/100 Rap.130E	Spring axle plate 80/100 Rap.130E
	912.0176	Veer-asplaat 100/110 Rap.160	Spring axle plate 100/110 Rap.160
	961.0238	Veer-asplaat met blok 100/110-40 Rap.200	Spring axle plate 100/110-40 Rap.200
25	301.0745	Bout M16×70	Bolt M16×70

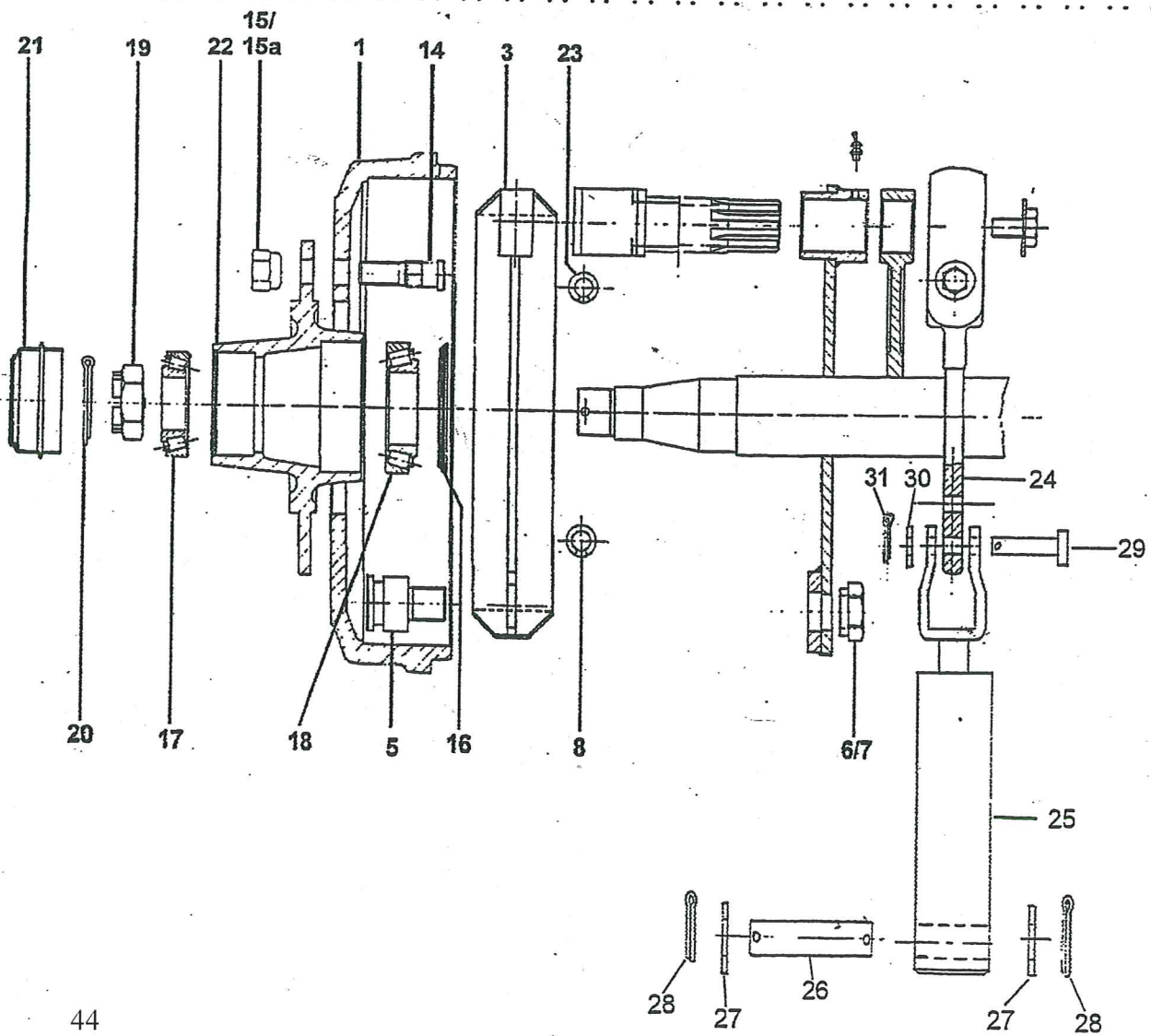
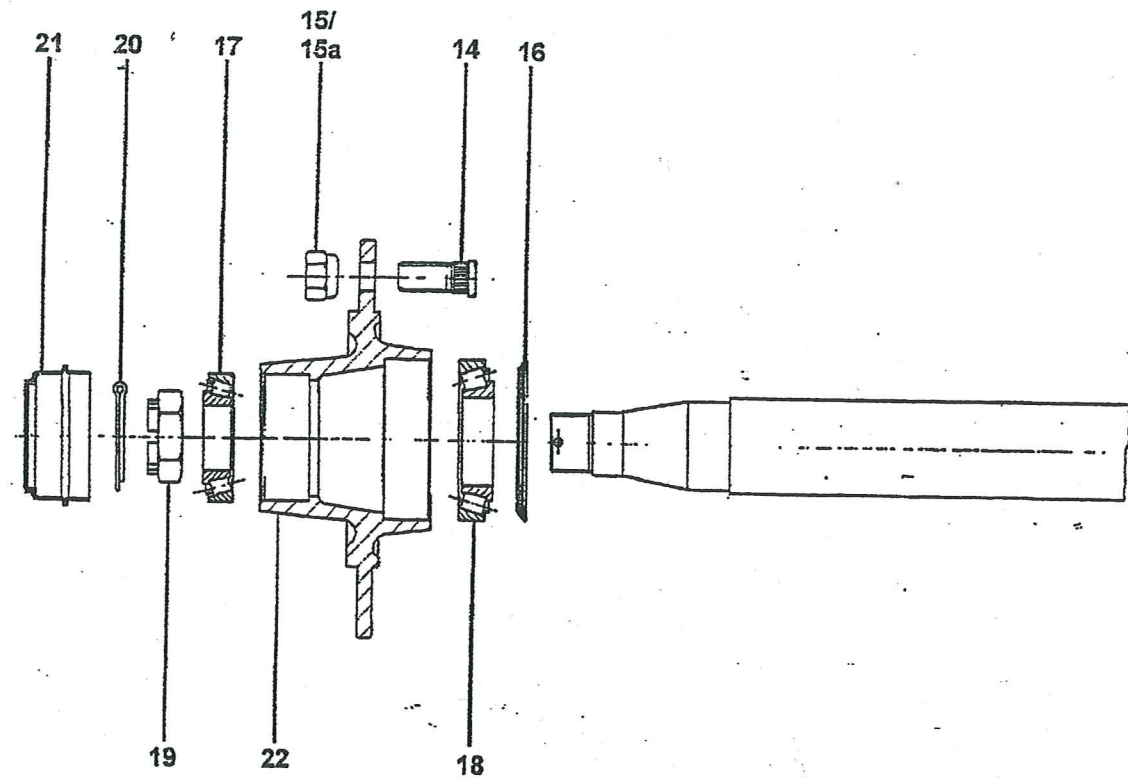


20. TRACK FOLLOWING WHEEL AXLE

MEELOPEND GESTUURDE WIELAS

Drawing no. 975.0014

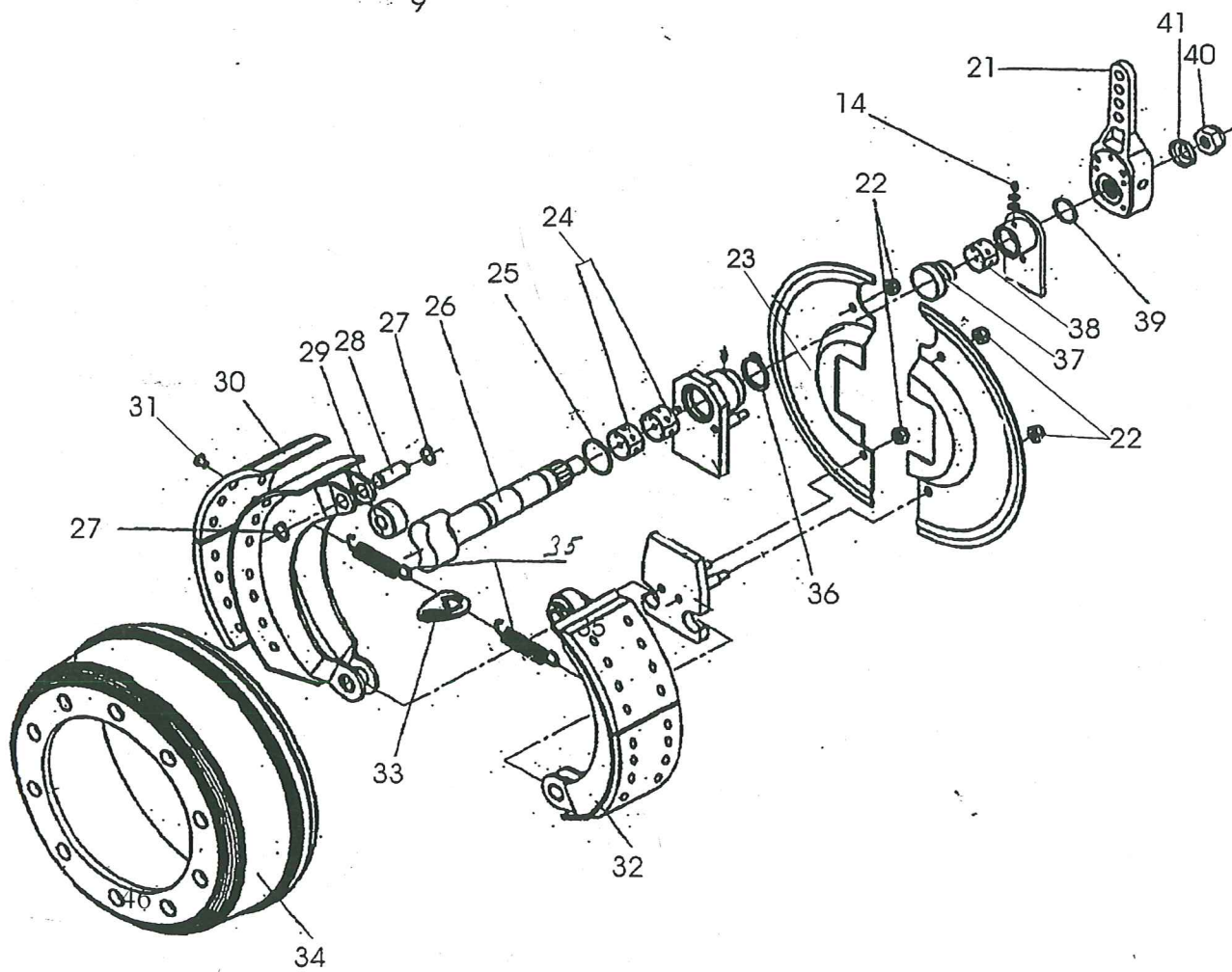
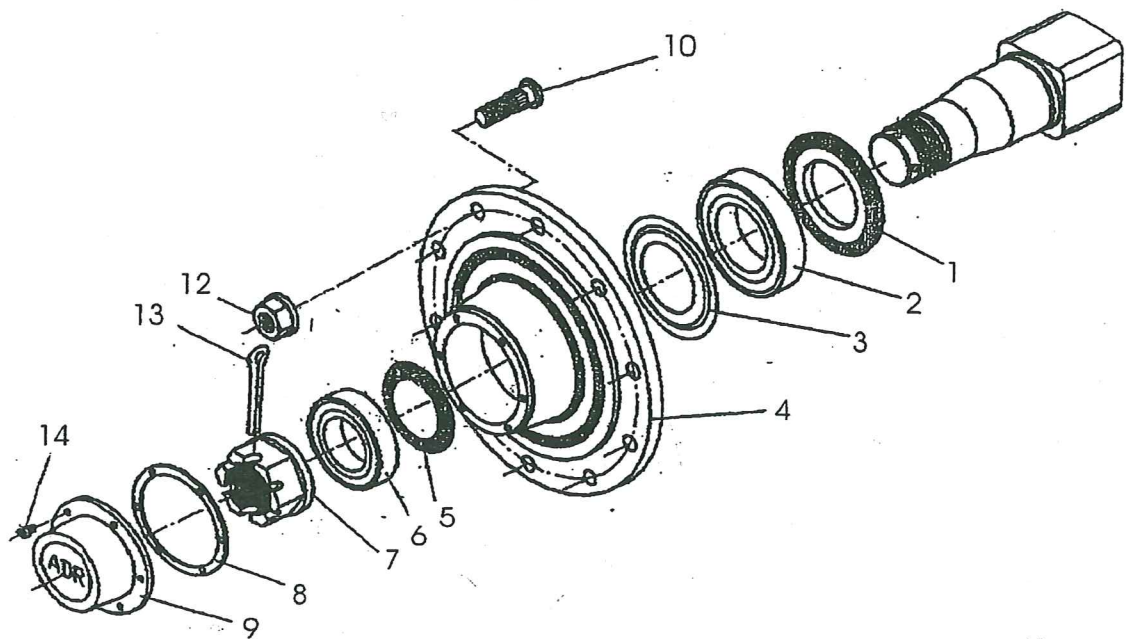
<i>Fig.</i>	<i>SR-no.</i>	<i>Omschrijving</i>	<i>Description</i>
1	435.0805	Volg-as 1008-30S Rap.130E	Track-following axle 10898-309 Rap.130E
	435.0819	Volg-as EUR 1110-408 Rap.160 en 200	Track-following axle 1110 Rap.160 and 200
4	452.0405	Dopmoer M27×3	Capped nut M27×3
5	306.0368	Moer M27×3	Nut M27×3
7	452.0404	Arreteercilinder	Stop-motion cylinder
8	301.0781	Bout M20×130	Bolt M20×130
10	306.0314	Zelfborgende moer M20	Self-locking nut M20
16	301.0795	Bout M20×190	Bolt M20×190
17	452.0396	Draadeind M30×3,5L (incl. 17a)	Threaded end M30×3,5L (incl. 17a)
17a	452.0398	Elastische lagerbus 20/38	Elastic bearing bush 20/38
18	306.0361	Moer M30×3,5L	Nut M30×3,5L
19	452.0397	Draadeind M30×3,5R (incl. 17a)	Threaded end M30×3,5R (incl. 17a)
20	306.0362	Moer M30×3,5R	Nut M30×3,5R
21	452.0406	Schokdemper	Shock absorber
22	301.0771	Bout M20×90	Bolt M20×90
24	452.0395	Sluitdeksel	Cover
25	301.0806	Bout M8×20	Bolt M8×20
26	452.0391	Lagerbus	Bearing bush
27	452.0390	Fusee-as	Swivel pin shaft
28	452.0393	Axiaalschijf	Axial disc
29	304.0115	Stelschroef M16×30	Set screw M16×30
30	306.0702	Moer M16	Nut M16
31	452.0394	Vulschijf	Filler disc
32	452.0393	Axiaalschijf	Axial disc
33	301.0835	Bout M8×30	Bolt M8×30
34	-	Asstomp (zie blz. 45) Rap.130E	Shaft end (See page 45) Rap.130E
	-	Asstomp (zie blz. 49) Rap.160 en 200	Shaft end (See page 49) Rap.160 and 200



21. Wheel axles ADR Rapide 130E-MLA (Type 1008 Brake 300×90)

WIELASSEN ADR RAPIDE 130E-MLA (TYPE 1008 REM 300×90)

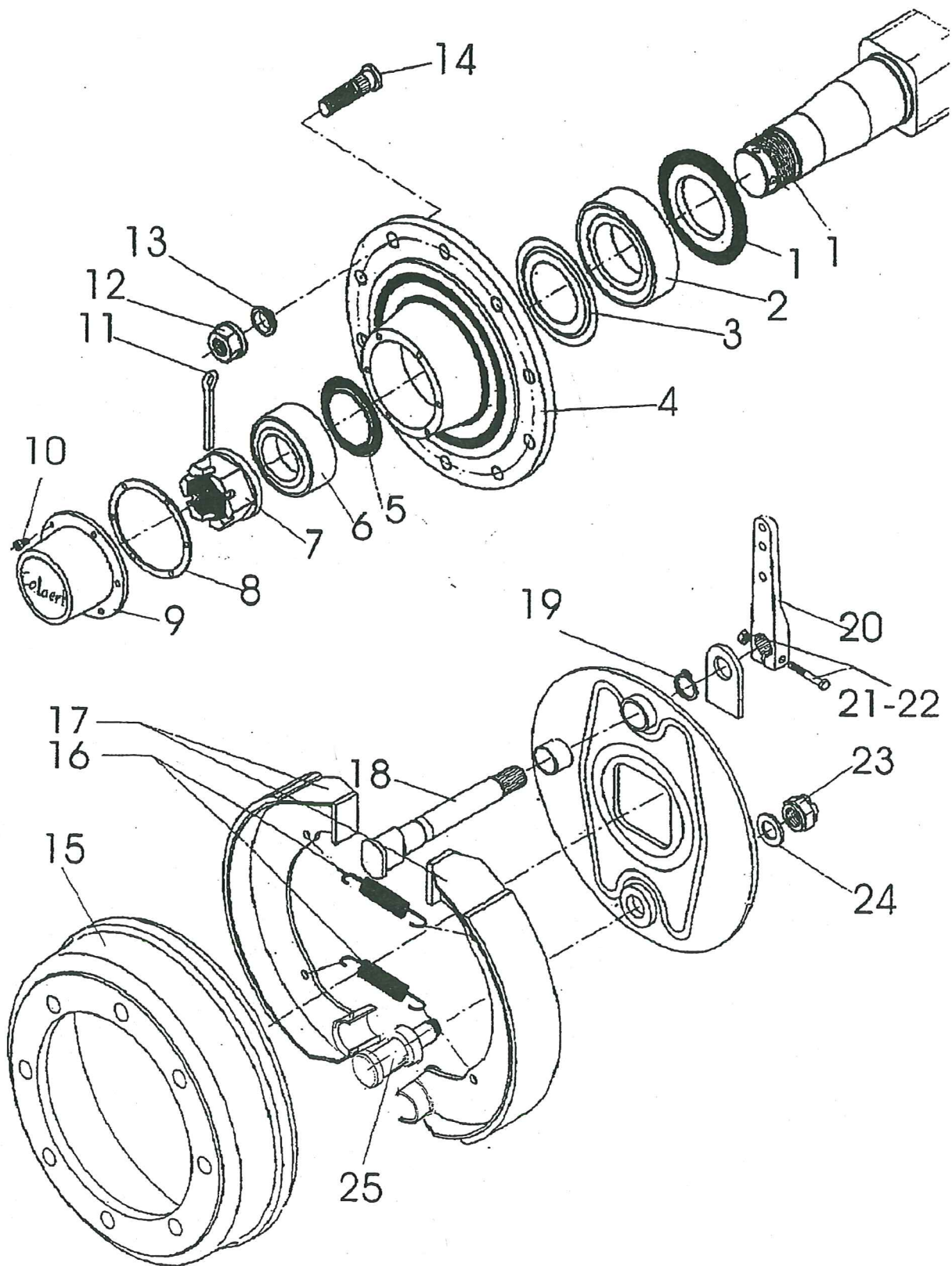
<i>Fig.</i>	<i>SR-no.</i>	<i>Omschrijving</i>	<i>Description</i>
	435.0550	Wielas 1008/200-8H/30S	Wheel axel 100/200-8H/30S
1	452.0323	Remtrommel 300×135	Brake drum 300×135
3	452.0337	Remschoen 300×90	Brake shoe 300×90
6	316.0918	Veerring 24mm	Spring ring 24mm
7	306.0717	Moer M24×1,5	Nut M24×1,5
8	452.0345	Trekveer 300×90	Draw spring 300×90
14	450.0629	Wielbout M20×1,5 L=70	Wheel bolt M20×1,5 L=70
15	450.0630	Wielmoer M20×1,5	Wheel nut M20×1,5
15a	450.0631	Bolle veerring 20mm	Spring ring 20mm
16	452.0364	Dichtring	Sealing ring
17	401.0145	Kegellager buiten 33212	Cone bearing outside 33212
18	401.0196	Kegellager binnen 32215	Cone bearing inside 32215
19	452.0358	Kroonmoer M48×1,5/75	Castle nut M48×1,5/75
20	375.0142	Splitpen 4×80	Split pin 4×80
21	452.0356	Naafdop Ø110 – schroefbevestiging	Hub cap Ø110 – screw fastening
22	452.0311	Wielnaaf	Radnabe
23	452.0343	Trekveer	Draw spring
24	452.0385	Remhefboom 32	Brake lever 32
25	452.0402	Remcilinder 25mm	Brake cylinder 25mm
26	920.0673	Scharnierpen 20mm	Pivoting pin 20mm
27	316.0725	Sluitring A21	Washer A21
28	375.0118	Splitpen 5×30	Split pin 5×30
29	349.0076	Pen 14mm	Pin 14mm
30	316.0741	Sluitring A15	Washer A15
31	375.0122	Splitpen 3×25	Split pin 3×25



22. WHEEL AXLES COLEART ((TYP EUR 1110) BRAKE 406×120) RAPIDE 160 AND 200

WIELASSEN COLEART ((TYPE EUR 1110) REM 406×120) RAPIDE 160 EN 200

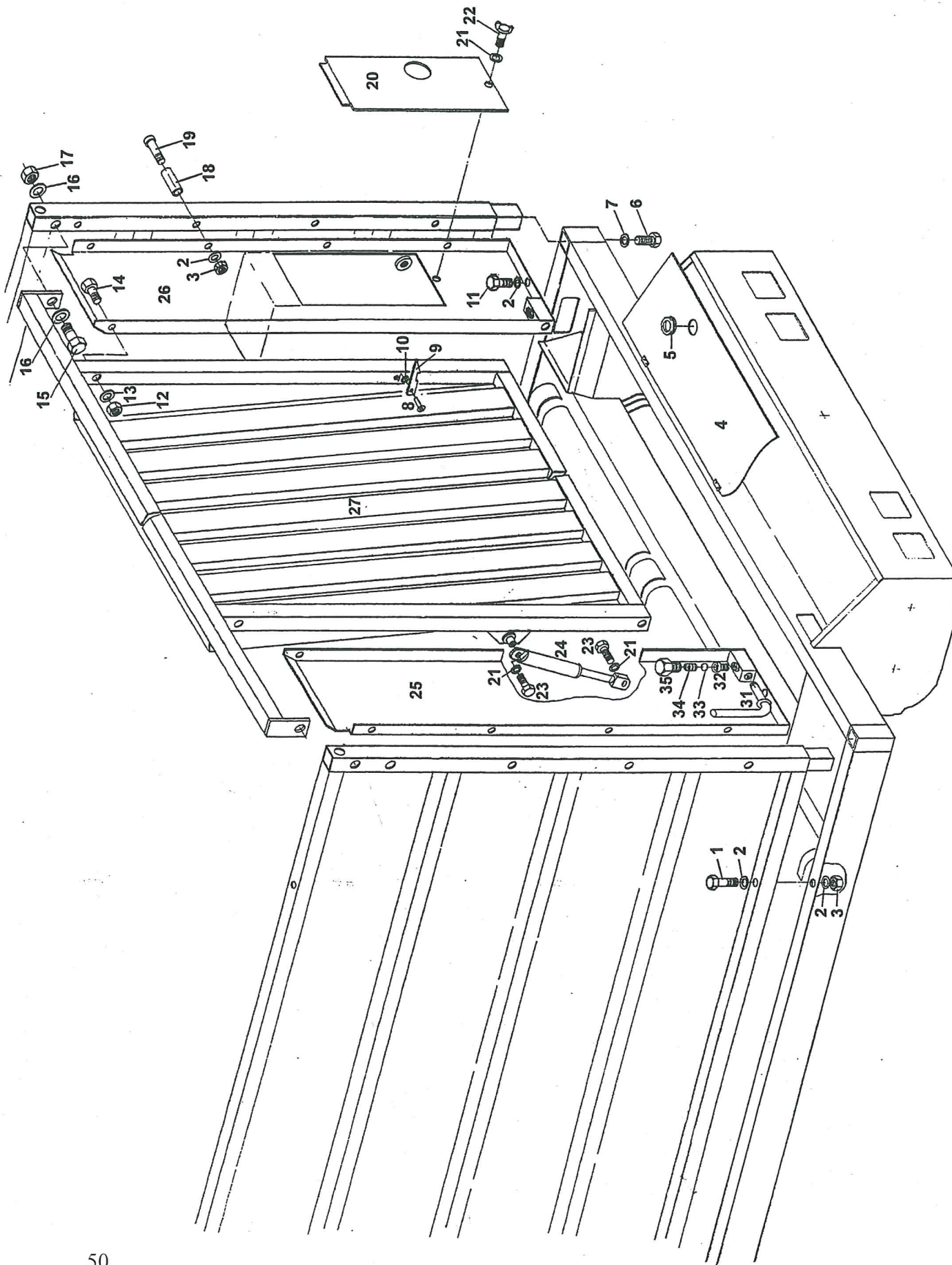
<i>Fig.</i>	<i>SR-no.</i>	<i>Omschrijving</i>	<i>Description</i>
1	452.0445	Steunring met afdichting	Supporting ring with sealing
2	401.0403	Kegellager 33118	Cone bearing 33118
3	452.0527	Dichtschiif	Sealing disc
4	452.0525	Wielnaaf	Wheel hub
5	452.0526	Dichtschiif	Sealing disc
6	401.0402	Kegellager 33215	Cone bearing 33215
7	452.0451	Kroonmoer M70x2-90R	Castle nut M70x2-90R
8	452.0482	Pakkingring	Seal ring
9	452.0529	Naaafdop 130-Colaert	Hub cap Colaert
10	452.0335	Wielbout M22x1,5-96	Wheel bolt M22x1,5-96
12	452.0050	Wielmoer M22x1,5-KC	Wheel nut M22x1,5-KC
13	375.0127	Splitpen 10x100	Split pin 10x100
14	302.0606	Cilinderkopbout M8x12	Cylinder head bolt M8x12
21	452.0507	Remhefboom GS-10Z	Brake lever GS-10Z
22	306.0306	Borgmoer M10	Locking nut M10
23	452.0492	Set afdichtplaten 110	Set of seal plate 110
24	452.0493	Glijlager	Bearing bush
25	452.0494	O-ring	O-ring
26	452.xxxx	Remas	Brake shaft
27	313.0102	Borgring A-20	Locking ring A-20
28	452.0490	Rolpen	Roller pin
29	452.0491	Rol	Roller
30	452.0486	Remvoering 406x120	Brake lining 406x120
31	452.0487	Klinknagel	Rivet
32	452.0484	Remschoen met voering 406x120	Brake shoe with lining 406x120
33	452.0489	Veerspanstuk.	Spring clamp
34	452.0329	Remtrommel 406x120	Brake drum 406x120
35	452.0488	Trekveer	Draw spring
36	313.0126	Borgring A-42	Locking ring A-42
37	452.0022	Manchet	Sealing bush
38	452.0497	Glijlager	Bearing bush
39	452.0524	Draadring	Wire ring
40	313.0106	Borgring A-25	Locking ring A-25
41	316.0727	Sluitring 26mm	Washer 26mm



23. TRACK FOLLOWING AXLES COLAERT (TYP EUR1110 BRAKE 400×80) RAPIDE 160 AND 200

MEELOPENDE WIELAS COLAERT ((TYPE EUR 1110) REM 400×80) RAPIDE 160 EN 200

<i>Fig.</i>	<i>SR-no.</i>	<i>Omschrijving</i>	<i>Description</i>
1	452.0445	Steuning met afdichting	Supporting ring with sealing
2	401.0403	Kegellager 33118	Cone bearing 33118
3	452.0527	Dichtschild	Sealing disc
4	452.0525	Wielnaaf	Wheel hub
5	452.0526	Dichtschild	Sealing disc
6	4010402	Kegellager 33215	Cone bearing 33215
7	452.0451	Kroonmoer M70x2-90R	Castle M70x2-90R
8	452.0482	Pakkingring	Seal ring
9	452.0529	Naaafdop 130-Colaert	Hub cap Colaert
10	302.0606	Cilinderkopbout M8x12	Cylinder head bolt M8x12
11	375.0127	Splitpen 10x100	Split pin 10x100
12	452.0050	Wielmoer M22x1,5-KC	Wheel nut M22x1,5-KC
14	452.0335	Wielbout M22×1,5-96	Wheel bolt M22×1,5-96
15	452.0328	Remtrommel 400x80-10	Brake drum 400x80-10
16	452.0340	Trekveer	Draw spring
17	452.0453	Remschoen met voering 400x80	Brake shoe with lining 400x80
18	452.xxxx	Remas	Brake shaft
19	313.0112	Borgring A-38	Locking ring A-38
20	452.0521	Remhefboom	Brake lever
21	301.0724	Bout M10x55	Bolt M10x55
22	306.0306	Borgmoer M10	Locking nut M10
23	452.0039	Moer M20x1,5	Nut M20x1,5
24	316.0908	Veerring 20mm	Spring washer 20mm
25	452.0452	Rembout 408-M20x1,5	Brake bolt 408-M20x1,5

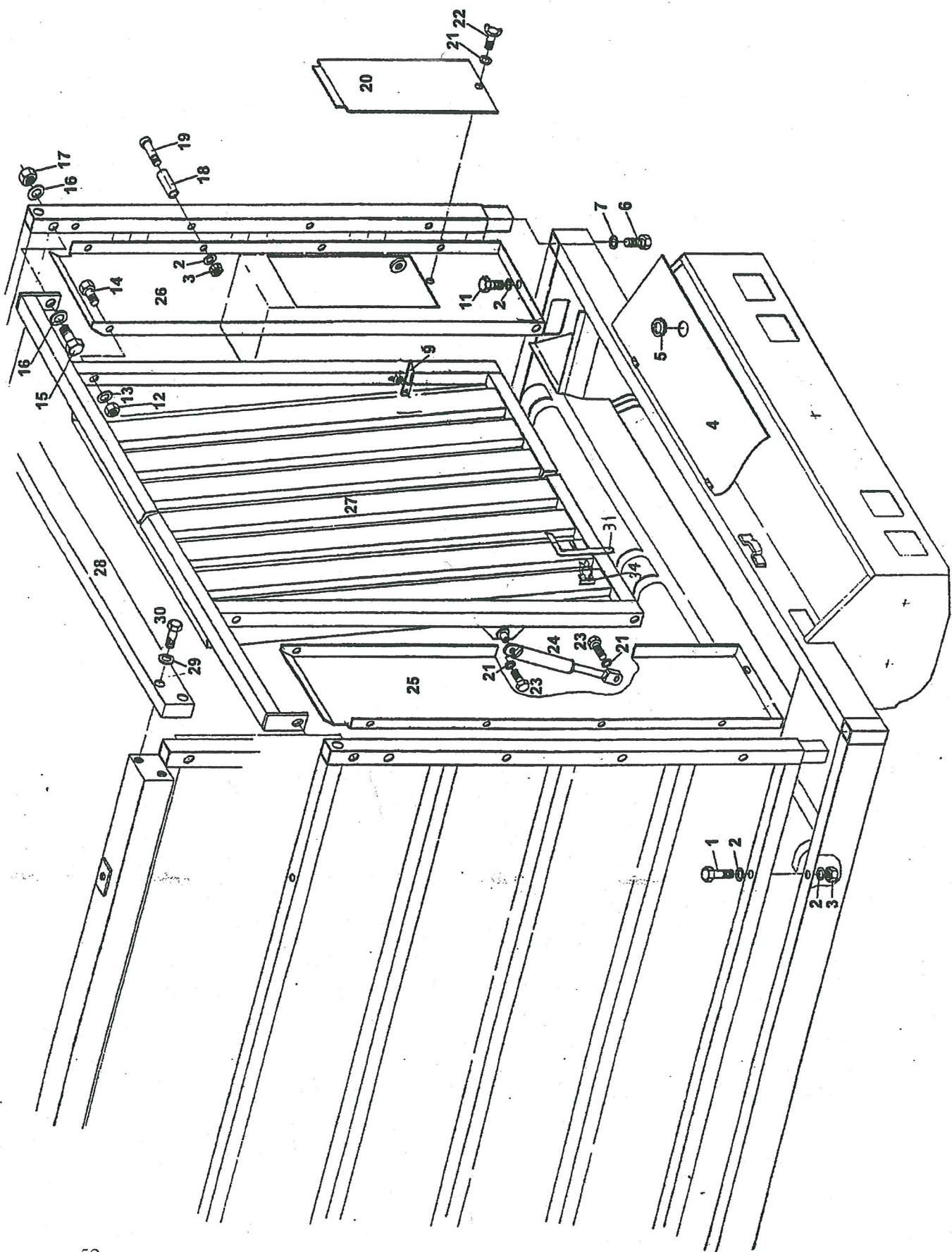


24. Front board Rapide 130E

VOORBORD RAPIDE 130E

Drawing no. 975.0001

<i>Fig.</i>	<i>SR-no.</i>	<i>Omschrijving</i>	<i>Description</i>
1	301.0739	Bout M10×90	Bolt M10×90
2	316.0705	Sluitring A10,5	Washer A10,5
3	306.0306	Borgmoer M10	Locking nut M10
4	935.0434	Deksel 25	Protective cover 25
5	376.0141	Tulle	Tulle
6	301.0836	Bout M16×45	Bolt M16×45
7	316.0901	Veerring 16 mm	Spring washer 16 mm
9	371.0294	Tuimelsluiting	Rocker fastening
11	301.0809	Bout M10×20	Bolt M10×20
12	306.0303	Borgmoer M16	Locking nut M16
13	316.0707	Sluitring A17	Washer A17
14	301.0759	Bout M16×80	Bolt M16×80
15	301.0771	Bout M20×90	Bolt M20×90
16	316.0725	Sluitring A21	Washer A21
17	306.0314	Borgmoer M20	Locking nut M20
18	925.0393	Busje L37	Bush L37
19	302.0603	Cilinderkopbout M10×60	Cylinder head bolt M10×60
20	936.0917	Sluitplaat	Locking plate
21	316.0703	Sluitring A8,4	Washer A8,4
22	349.0063	Vleugelknop M8×20	Wing nut M8×20
23	301.0750	Bout M8×35	Bolt M8×35
24	333.0001	Gasdrukveer	Gas pressure spring
25	967.0607	Voorwand-zijstuk rechts	Front board side piece right
26	961.0103	Voorwand-zijstuk links	Front board side piece left
27	967.0602	Voorbord 2216	Front board 2216
28	961.0581	Opzet voorbord	Front head board
31	967.0142	Grendelpen	Locking pin
32	302.0620	Cilinderkopbout M10×30	Cylinder head bolt M10×30
33	349.0028	Kogel Ø10	Ball Ø10
34	331.0202	Borgveer	Locking spring
35	900.0115	Grendelbout M20×25	Locking bolt M20×25

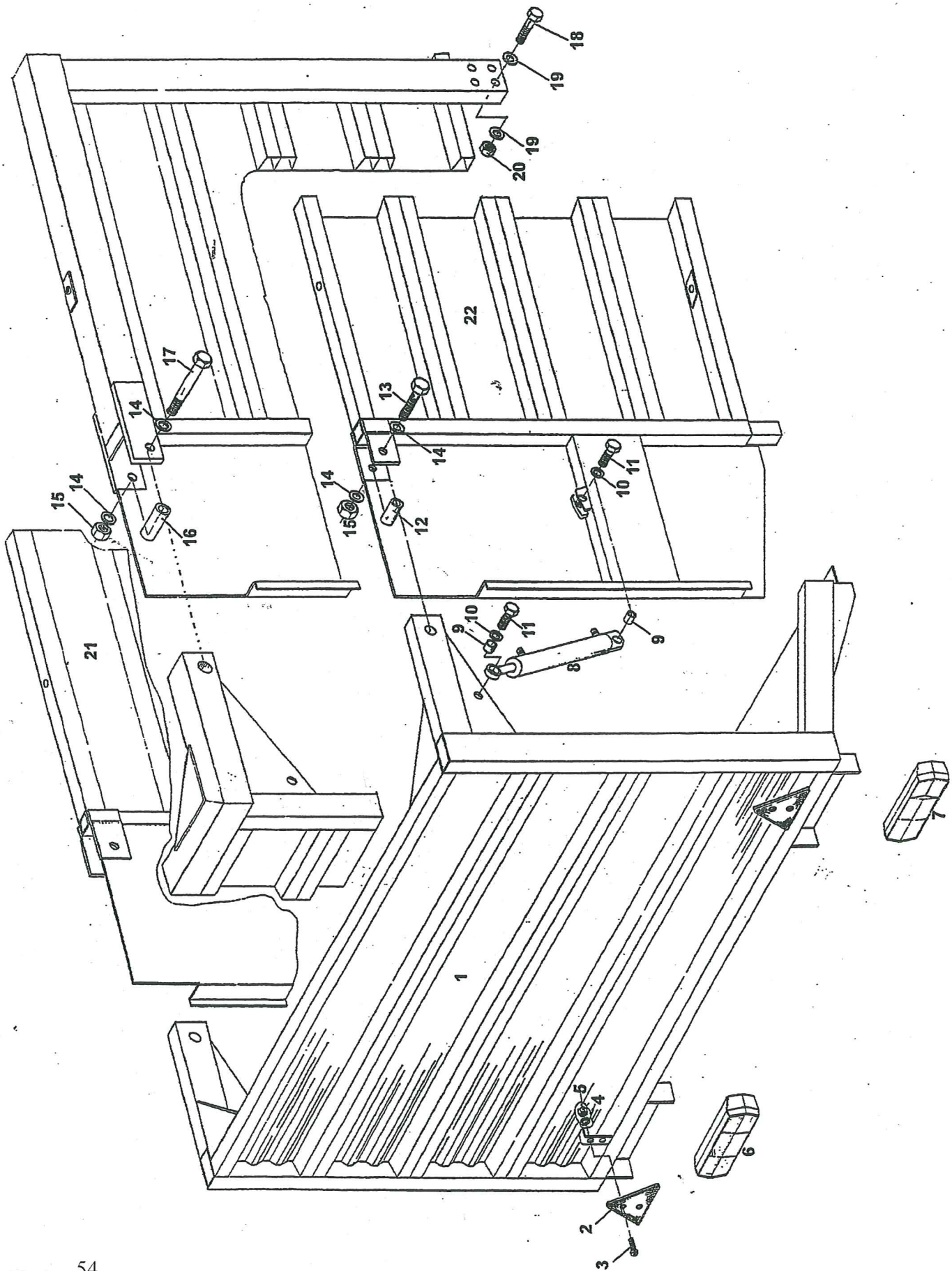


25. FRONT BOARD RAPIDE 160 AND 200

VOORBORD RAPIDE 160 EN 200

Drawing no. 975.0001

<i>Fig.</i>	<i>SR-no.</i>	<i>Omschrijving</i>	<i>Description</i>
1	301.0739	Bout M10×90	Bolt M10×90
2	316.0705	Sluitring A10,5	Washer A10,5
3	306.0306	Borgmoer M10	Locking nut M10
4	935.0434	Deksel 25	Protective cover 25
5	376.0141	Tule	Tulle
6	301.0836	Bout M16×45 (achter)	Bolt M16×45 (rear)
	301.0787	Bout M16×200 (voor)	Bolt M16×200 (front)
7	316.0901	Veerring 16 mm	Spring washer 16 mm
9	371.0294	Tuimelsluiting	Rocker fastening
11	301.0809	Bout M10×20	Bolt M10×20
12	306.0303	Borgmoer M16	Locking nut M16
13	316.0707	Sluitring A17	Washer A17
14	301.0759	Bout M16×80	Bolt M16×80
15	301.0771	Bout M20×90	Bolt M20×90
16	316.0725	Sluitring A21	Washer A21
17	306.0314	Borgmoer M20	Locking nut M20
18	925.0393	Busje L37	Bush L37
19	302.0603	Cilinderkopbout M10×60	Cylinder head bolt M10×60
20	936.0917	Sluitplaat	Locking plate
21	316.0703	Sluitring A8,4	Washer A8,4
22	349.0063	Vleugelknop M8×20	Wing nut M8×20
23	301.0750	Bout M8×35	Bolt M8×35
24	333.0001	Gasdrukveer	Gas pressure spring
25	961.0107	Voorwand-zijstuk rechts	Front board side piece right
26	961.0106	Voorwand-zijstuk links	Front board side piece left
27	961.0273	Voorbord 2221	Front board 2221
28	968.0419	Bovenrand 22	Top edge 22
29	316.0702	Sluitring A13	Washer A13
30	301.0785	Bout M12×80	Bolt M12×80
31	961.0119	Grendelpen	Locking pin
34	330.0002	Borgveer	Locking spring

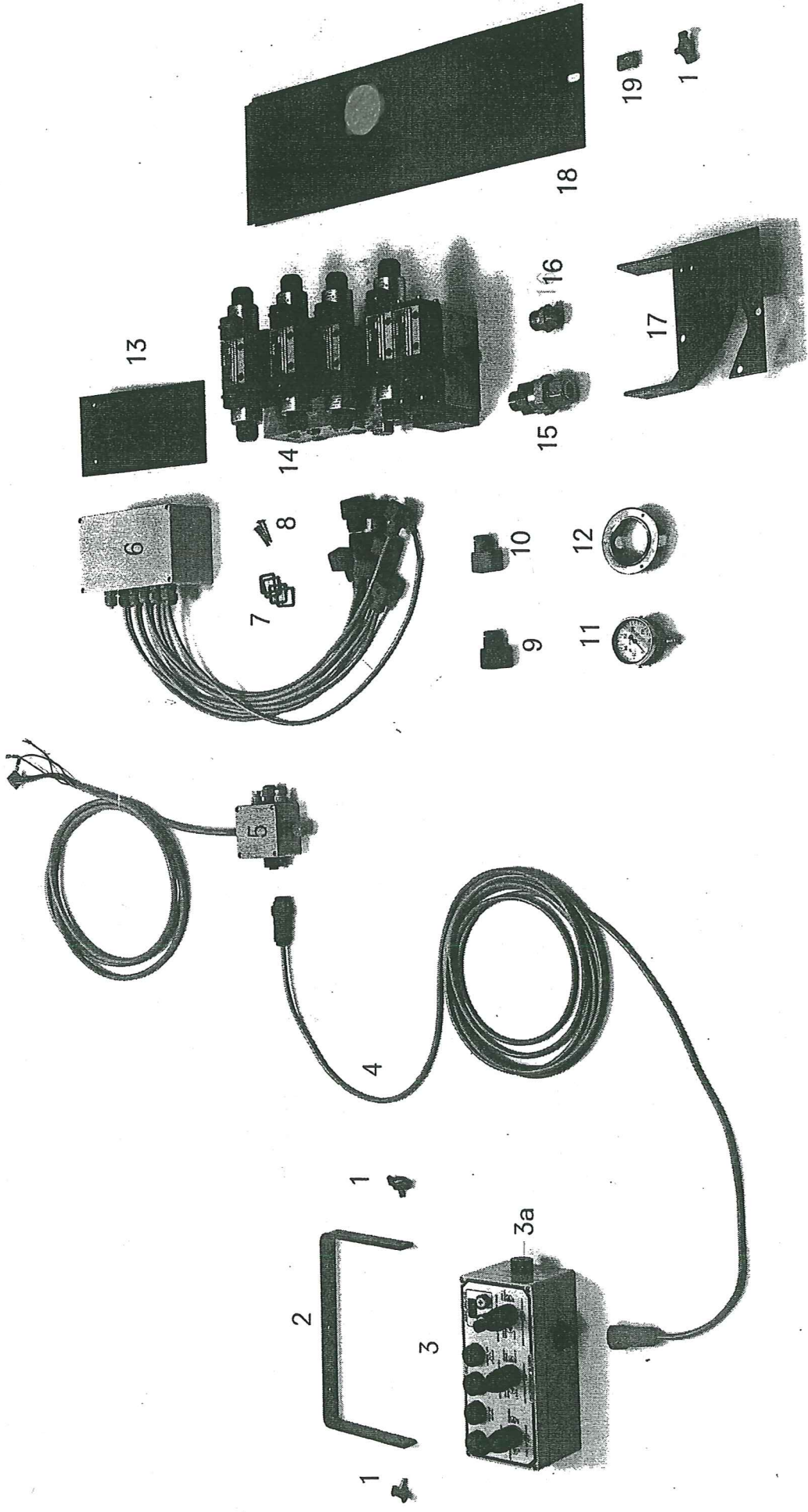


26. TAILGATE

ACHTERKLEP

Drawing no. 975.0002

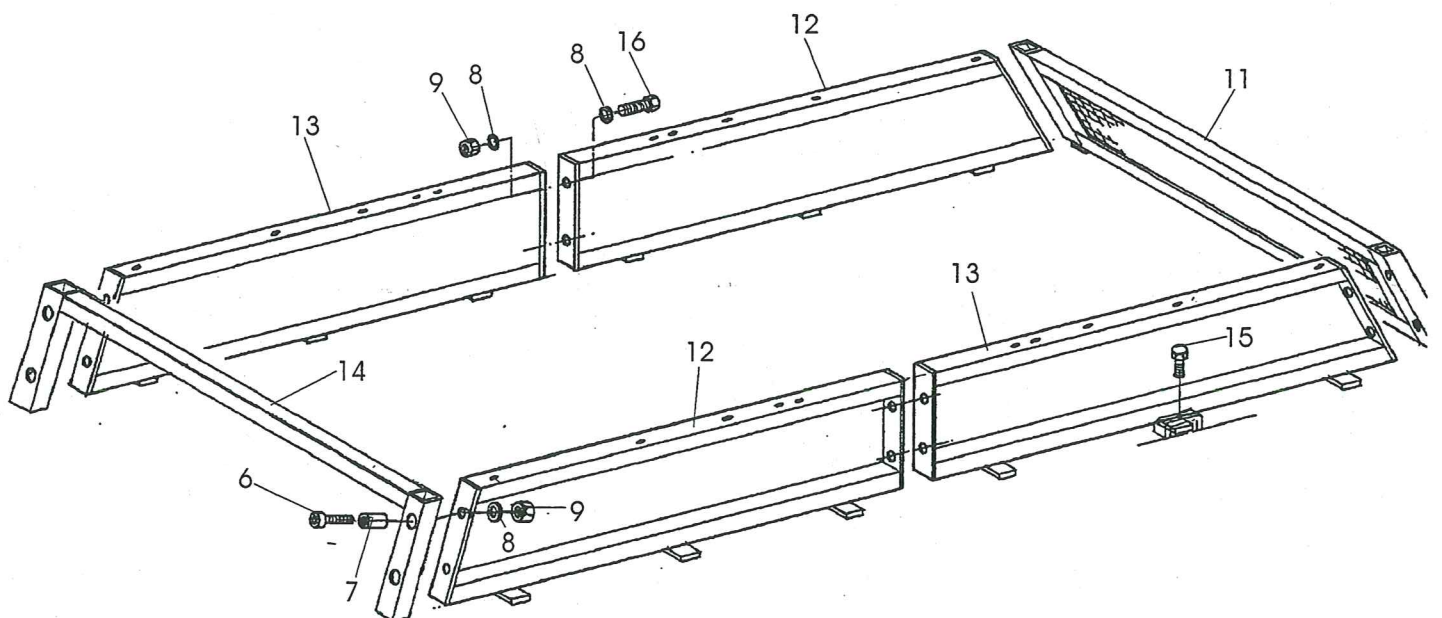
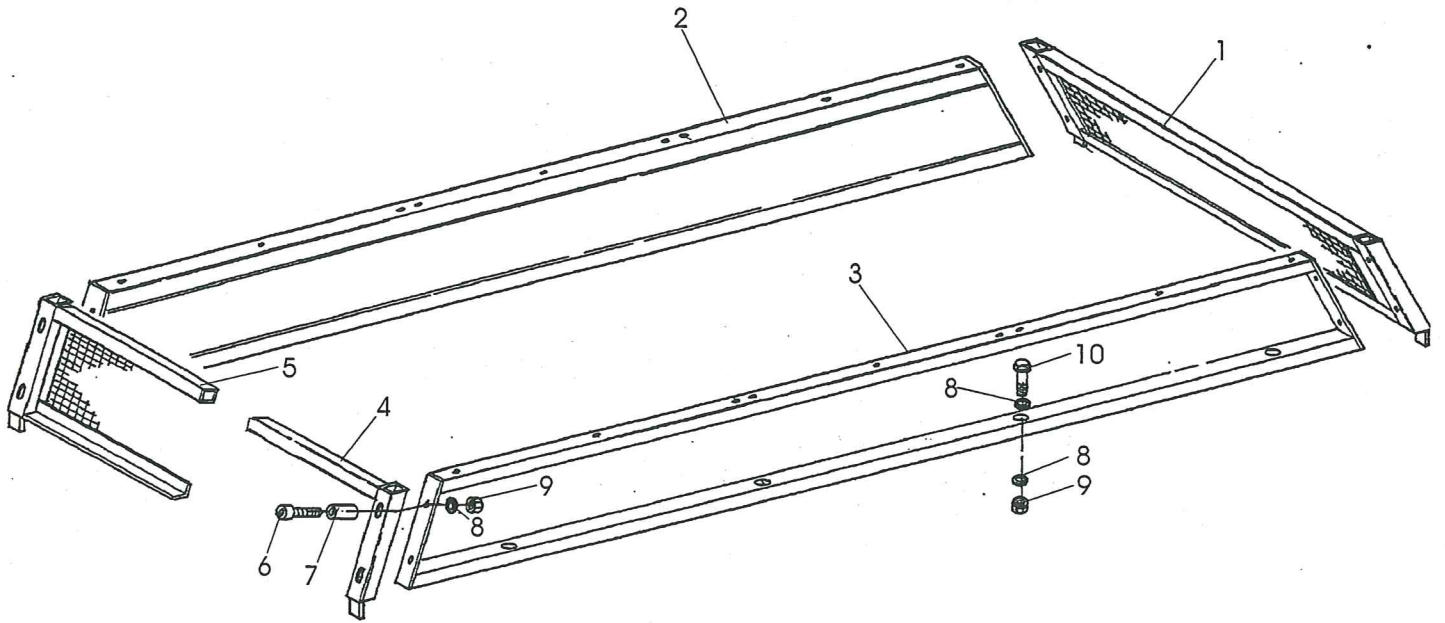
<i>Fig.</i>	<i>SR-no.</i>	<i>Omschrijving</i>	<i>Description</i>
1	951.0025	Achterklep Rap.130E	Tailgate Rap.130E
	951.0026	Achterklep Rap.160 en 200	Tailgate Rap.160 en 200
2	482.0201	Driehoek-reflector	Reflecting warning triangle
3	303.0937	Cilinderkopschroef M5×12	Cylinder head screw M5×12
4	316.0730	Sluistring A5,3	Washer A5,3
5	306.0335	Borgmoer M5	Locking nut M5
6	480.0026	Achterlamp links	Rear light left
7	480.0027	Achterlamp rechts	Rear light right
7a	482.0104	Glas voor achterlicht	Glass for rear light
8	355.3001	Hydr. cilinder Kavee Rap.130E	Hydr. Cylinder Kavee Rap.130E
	355.3002	Hydr. cilinder Kavee Rap.160 en 200	Hydr. Cylinder Kavee Rap.160 and 200
8a	402.0129	Glijlager 20/25	Slide bearing 20/25
8b	454.0119	Set afdichtingen t.b.v. 8	Set of seals for 8
9	925.0711	Lagerbusje	Bearing bush
10	316.0707	Sluistring A17	Washer A17
11	301.0737	Bout M16×50	Bolt M16×50
12	925.0651	Scharnierbusje L=54 Rap.130E	Knuckle L=54 Rap.130E
13	301.0762	Bout M16×90 Rap.130E	Bolt M16×90 Rap.130E
14	316.0707	Sluistring A17	Washer A17
15	306.0702	Moer M16	Nut M16
16	925.0922	Scharnierbusje L=101 Rap.160 en 200	Knuckle L=101 Rap.160 and 200
17	301.0738	Bout M16×150 Rap.160 en 200	Bolt M16×150 Rap.160 and 200
18	301.0785	Bout M12×80	Bolt M12×80
19	316.0701	Sluistring A13	Washer A13
20	306.0302	Borgmoer M12	Locking nut M12
21	961.0582	Zijbord links Rap.130E	Side board left Rap.130E
	961.0995	Zijbord links Rap.160	Side board left Rap.160
	961.0210	Zijbord links Rap.200	Side board left Rap.200
22	961.0583	Zijbord rechts Rap.130E	Side board right Rap.130E
	961.0996	Zijbord rechts Rap.160	Side board right Rap.160
	961.0211	Zijbord rechts Rap.200	Side board right Rap.200



27. HYDRAULIC/ELEKTRICAL OPERATION

HYDRAULISCHE/ELEKTRISCHE BEDIENING

<i>Fig.</i>	<i>SR-no.</i>	<i>Omschrijving</i>	<i>Description</i>
1	349.0063	Vleugelknop M8×20	Wing nut M8×20
2	912.0146	Bevestigingsbeugel	Mounting bracket
3	983.0543	Bedieningsunit (incl. 3a t/m f)	Pilot box (incl. 3a up to f)
3a	349.0067	Trillingsdemper	Vibration damper
3b	484.0133	Kontaktblok	Contact block
3c	484.0134	Schakelhandel-vast	Fixed switch lever
3d	484.0135	Schakelhandel-verend	Spring switch lever
3e	484.0132	Beschermerhoes	Protective cover
3f	484.0037	Signaallamp-rood	Warning light, red
3g	484.0136	Drukschakelaar-rood	Pressure swithc, red
3h	484.0137	Drukschakelaar-groen	Pressure switch, green
3i	484.0138	Impulsschakelaar "+"	Impuls switch "+"
3j	484.0139	Impulsschakelaar "-"	Impuls switch "-"
3k	484.0144	Chassisdeel met pen 4-polig	Surface-mounted connector 4P
4	484.0602	Verbindingskabel	Connection cable
4a	484.0142	Stekker met pen 4-polig	Straight cable connector 4P
	484.0143	Stekker met pen 4-polig	Straight cable socket 4P
5	484.0607	Voedingsunit	Supply unit
5a	484.0144	Chassisdeel met pen 4-polig	Surface-mounted connector 4P
6	484.0606	Stuurunit	Control unit
7	484.0121	Dichtring GDM 3-16	Sealing ring GDM 3-16
8	484.0122	Schroef M3×35	Screw M3×35
9	484.0059	Connector zwart (incl. 7 en 8)	Connector, black (incl. 7 and 8)
10	484.0060	Connector grijs (incl. 7 en 8)	Connector, grey (incl. 7 and 8)
11	355.0399	Manometer 0-250 bar (incl.12)	Manometer 0-250 Bar (incl.12)
13	961.0881	Montage-steunplaat	Mounting-support plate
14	355.0837	Hydraulisch manifold Bo/LS	Electro-hydraulic manifold Bo/LS
17	961.0880	Stuurblok-console	Manifold support
18	936.0917	Sluitplaat	Locking plate
19	306.0359	Plaatmoer M8 zelfborgend	Self-locking plate nut M8



28. STEEL CONSTRUCTION AS WINDCOVER

STAALOPBOUW ALS WINDKAP

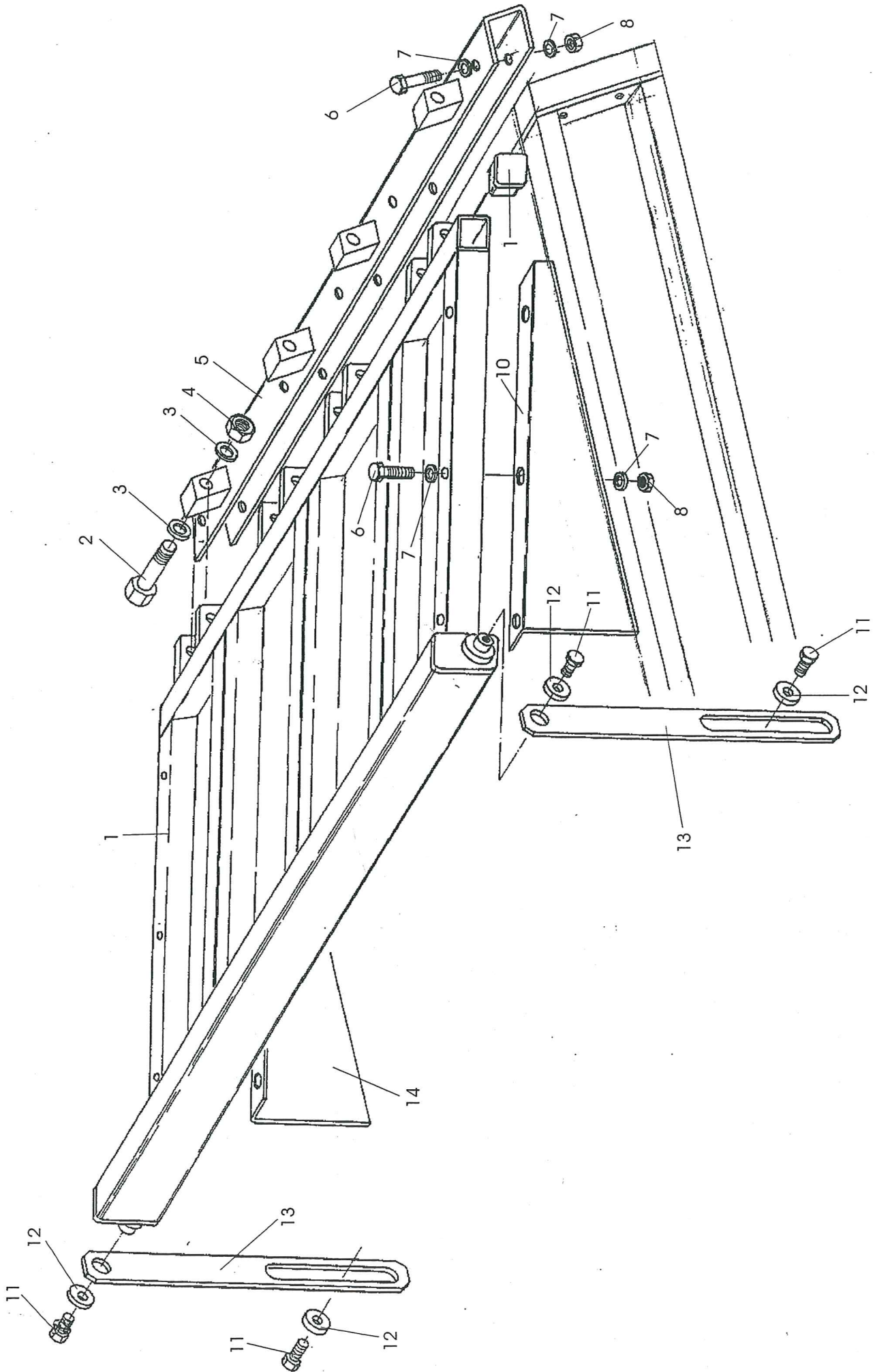
Drawing no. : 975.0034

Rapide 130E

Fig.	SR-no.	Omschrijving	Description
0	994.0630	Windkap Rap.130E	Wind cover steel Rap.130E
1	967.0915	Voorstuk met gaas	Front part gauze
2	967.0572	Zijstuk	Side pice
3	967.0572	Zijstuk	Side pice
4	967.0576	Achterbeugel	Rear bracket
6	302.0603	Cilinderkopbout M10x60	Cylinder head bolt M10x60
7	925.0393	Buisje L37	Bush L37
8	316.0705	Sluitring A10,5	Washer A10,5
9	316.0306	Borgmoer M10	Locking nut M10
10	301.0769	Bout M10x130	Bolt M10x130

Rapide 160 and 200

Fig.	SR-no.	Omschrijving	Description
0	994.0631	Windkap Rap.160	Wind cover steel Rap.160
	994.0632	Windkap Rap.200	Wind cover steel Rap.200
6	302.0603	Cilinderkopbout M10x60	Cylinder head bolt M10x60
7	925.0393	Buisje L37	Bush L37
8	316.0705	Sluitring A10,5	Washer A10,5
9	306.0306	Borgmoer M10	Locking nut M10
11	967.0916	Voorstuk met gaas	Front part gauze
12	961.0575	Zijstuk-RH Rap.160	Side pice-RH Rap.160
	961.0577	Zijstuk-RH Rap.200	Side pice-RH Rap.200
13	961.0574	Zijstuk-LH Rap.160	Side pice-LH Rap.160
	961.0576	Zijstuk-LH Rap.200	Side-pice-LH Rap.200
14	961.0274	Achterbeugel	Rear bracket
15	301.0805	Bout M10x25	Bolt M10x25
16	301.0811	Bout M10x30	Bolt M10x30



29. GUIDE BOARD ON WINDCOVER

GELEIDEBORD OP WINDKAP

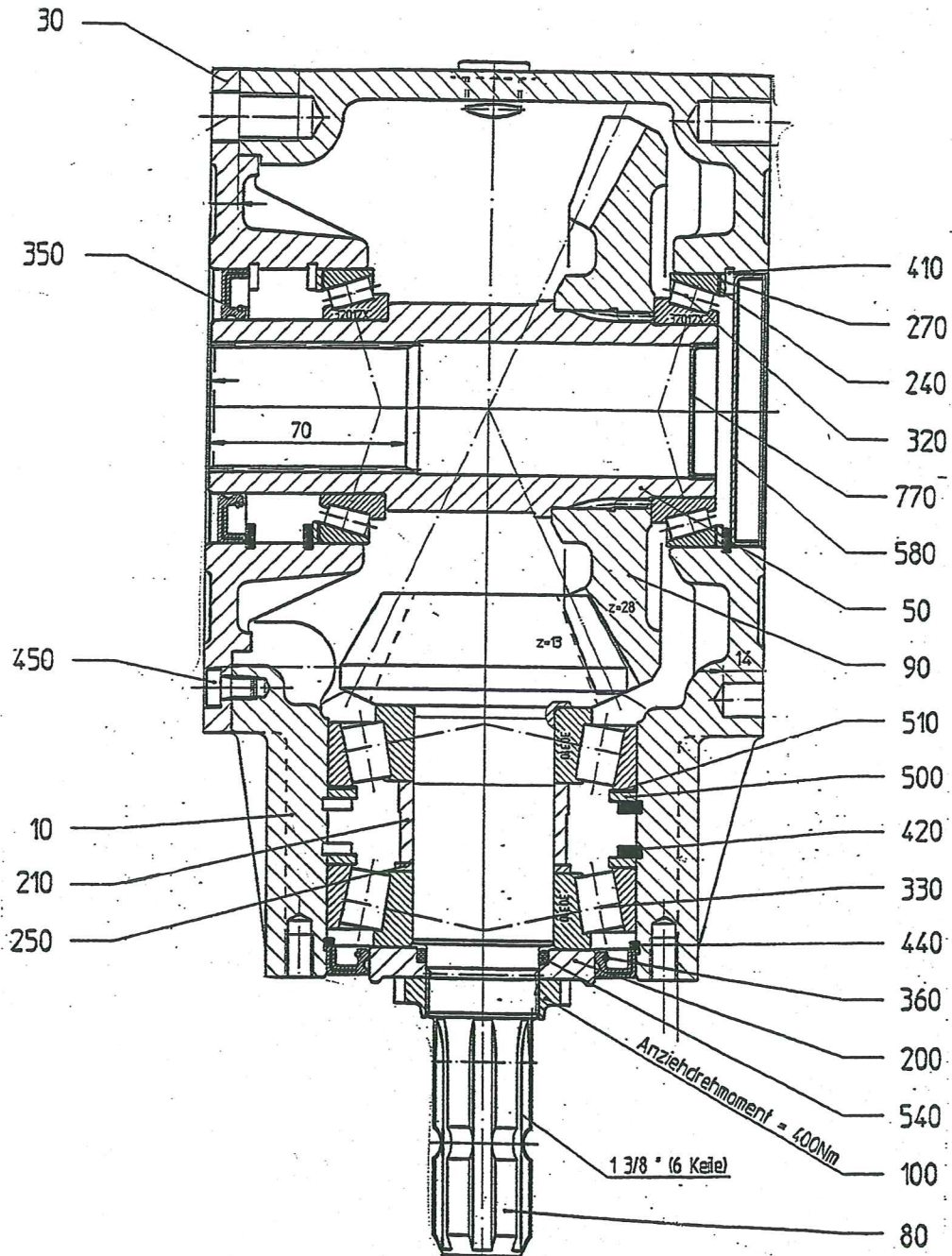
Drawing no. : 975.0035

<i>Fig.</i>	<i>SR-no.</i>	<i>Omschrijving</i>	<i>Description</i>
0	994.0633	Geleidebord cpl. Rap.130E	Guide board cpl. Rap.130E
	994.0634	Geleidebord cpl. Rap.160 en 200	Guide board cpl. Rap.160 and 200
1	967.0918	Geleidebord Rap.130E	Guide board Rap.130E
	967.0919	Geleidebord Rap.160 en 200	Guide board Rap.160 and 200
2	304.0762	Bout M16x90	Bolt M16x90
3	316.0707	Sluitring A17	Washer A17
4	306.0303	Borgmoer M16	Locking nut M16
5	967.0917	Voorrand met scharnierblokjes	Front bracket
6	304.0719	Bout M10x70	Bolt M10x70
7	316.0705	Sluitring A10,5	Washer A10,5
8	316.0306	Bogmoer M10	Locking nut M10
9	376.0124	Sluitdop	Closing stop
10	937.0261	Zijplaat re.	Side plate right
11	301.0809	Bout M10x20	Bolt M10x20
12	316.0742	Sluitring 50/11-8	Washer 50/11-8
13	913.0601	Trekstrip	Tension member
14	937.0260	Zijplaat li.	Side plate left

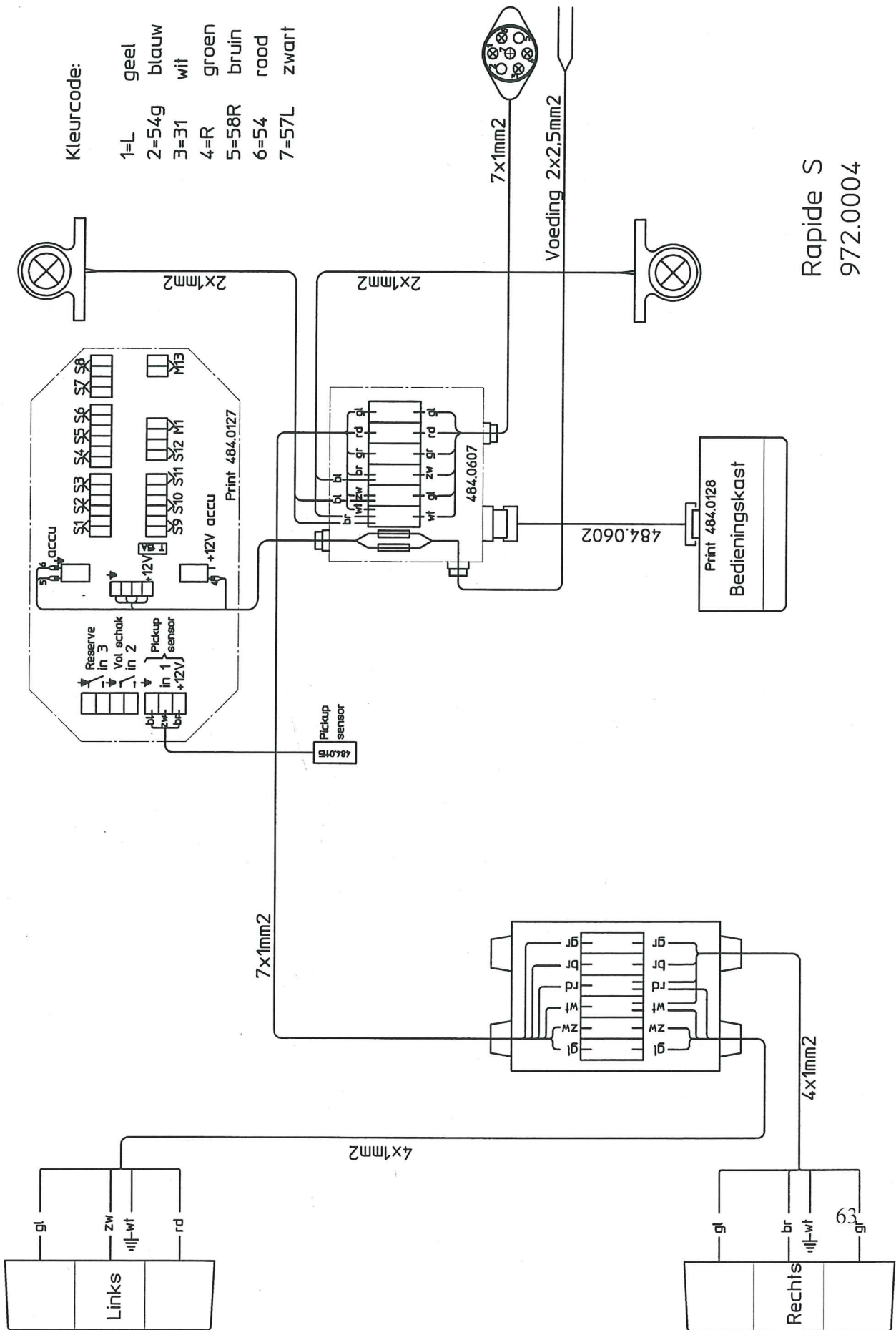
30. GEAR BOX WG-1000 13>28

TANDWIELKAST WG-1000 13>28

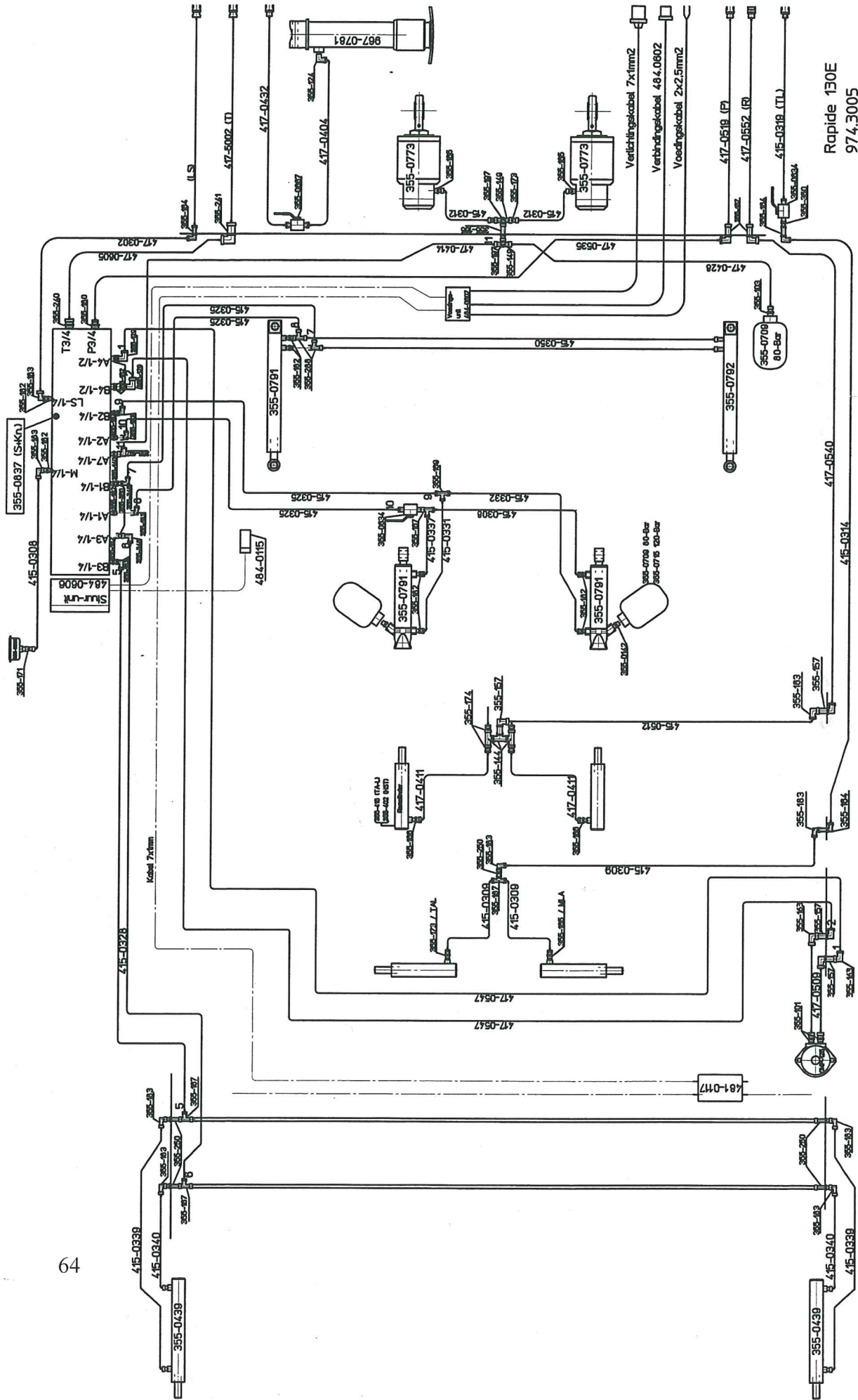
Article no. 351.066



31. ELECTRICAL CIRCUIT DIAGRAM 972.0004

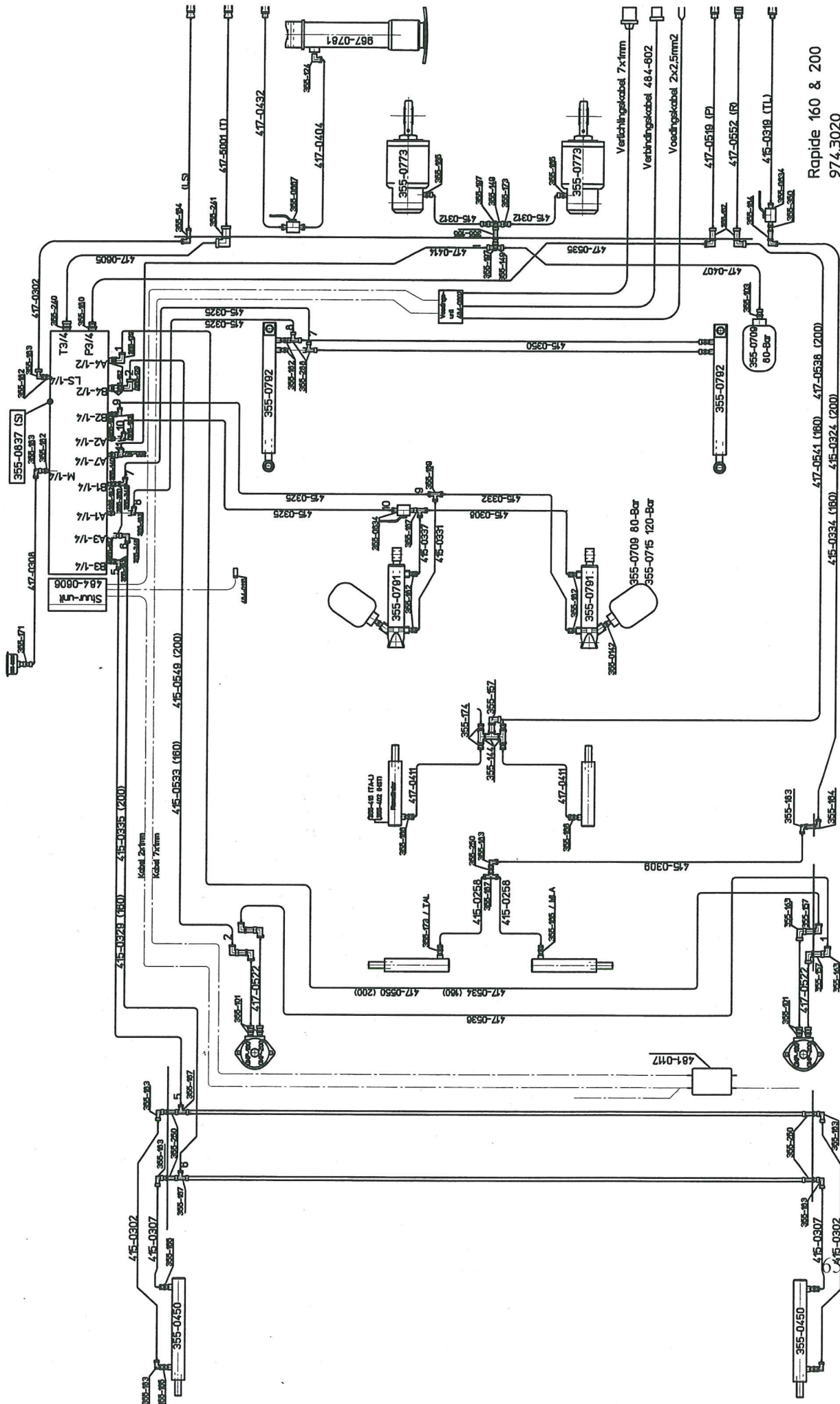


32. HYDRAULIC SYSTEM RAPIDE 130E



Rapide 130E
974.3005

33. HYDRAULIC SYSTEM RAPIDE 160 AND 200



Rapide 160 & 200
974.3020

